

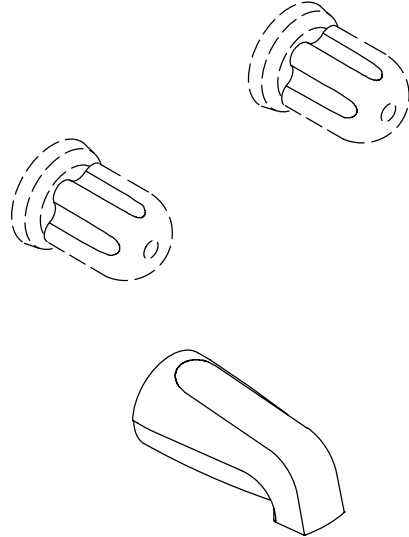
FEATURES

- Brass construction
- Brass valve bodies
- Compression valves
- 4-7/8" non-diverter spout with N.P.T. or slip-fit connection
- Available with metal or sculptured acrylic handles
- Adjustable escutcheons

CODES/STANDARDS APPLICABLE

Specified model meets or exceeds the following:


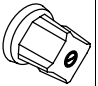
- ASME/ANSI A112.18.1M
- CSA B125
- IAPMO/UPC



COLORS/FINISHES

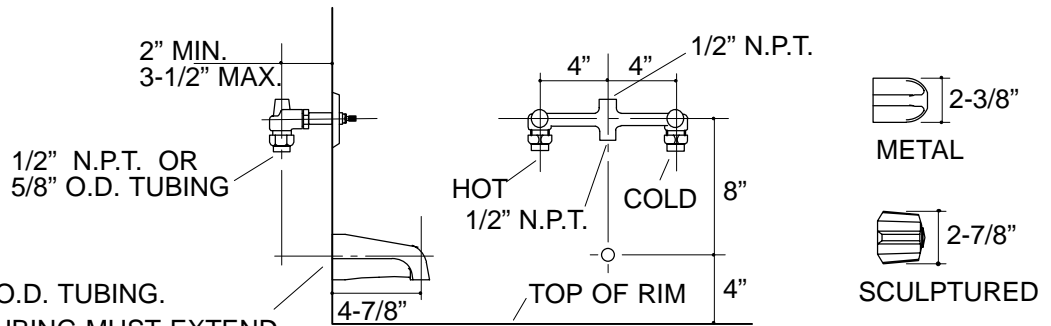
- CP Polished Chrome

SPECIFIED MODEL:

Model	Description		
Metal Handles:			
K-11638-U	N.P.T. Non-Diverter Spout; N.P.T. Union Connections	<input type="checkbox"/> CP	
K-11638-UC	N.P.T. Non-Diverter Spout; Direct Sweat Union Connections	<input type="checkbox"/> CP	
K-11638-UD	Slip-Fit Non-Diverter Spout; Direct Sweat Inlets	<input type="checkbox"/> CP	
K-11638-UE	Slip-Fit Non-Diverter Spout; Direct Sweat Union Connections	<input type="checkbox"/> CP	
K-11638-US	Slip-Fit Non-Diverter Spout; N.P.T. Union Connections	<input type="checkbox"/> CP	
Sculptured Acrylic Handles:			
K-11638-P	N.P.T. Non-Diverter Spout; N.P.T. Union Connections		<input type="checkbox"/> CP
K-11638-PC	N.P.T. Non-Diverter Spout; Direct Sweat Union Connections		<input type="checkbox"/> CP
K-11638-PD	Slip-Fit Non-Diverter Spout; Direct Sweat Inlets		<input type="checkbox"/> CP
K-11638-PE	Slip-Fit Non-Diverter Spout; Direct Sweat Union Connections		<input type="checkbox"/> CP
K-11638-PS	Slip-Fit Non-Diverter Spout; N.P.T. Union Connections		<input type="checkbox"/> CP

PRODUCT SPECIFICATION:

Two-handle bath faucet shall be of brass construction. Faucet shall feature brass valve bodies. Faucet shall also feature compression valves. Product shall include 4-7/8" non-diverter spout with N.P.T. or slip-fit connection, metal or sculptured acrylic handles, and adjustable escutcheons. Optional feature shall be N.P.T. or direct sweat connections. Faucet shall be Kohler Model K-11638-_____-CP.



1/2" N.P.T. PIPE OR 5/8" O.D. TUBING.
 FOR SLIP-FIT SPOUT, TUBING MUST EXTEND
 1-1/2" MIN.; 2-7/8" MAX. BEYOND FINISHED
 WALL.
 FOR N.P.T. SPOUT, PIPE MUST EXTEND 3-7/8"
 BEYOND FINISHED WALL.

PRODUCT DIAGRAM