

Ordering Information

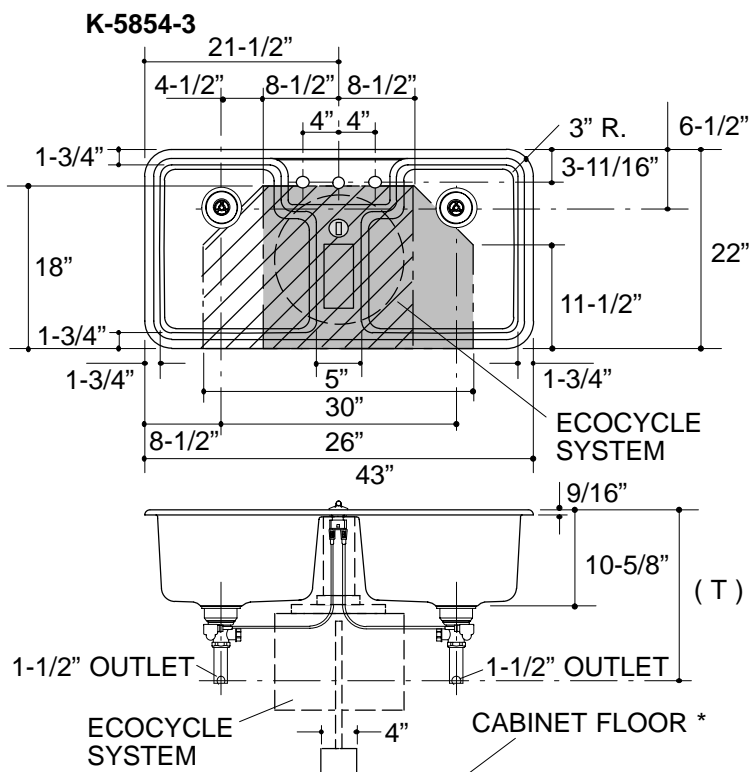
Applicable product:		
Three-hole sink	K-5854-3	shown
Single-hole sink	K-5854-1	not shown

Product Information

Fixture*:		basin area	water depth
Sink		17" x 19"	9"
Outlet	3-5/8" D.		
Faucet holes	1-3/8" D.		
* Approximate measurements for comparison only.			

Installation Notes

Refer to installation instructions included with fixture before beginning installation.



Roughing-In Notes

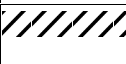
Fixture dimensions are nominal and conform to tolerances in ASME/ANSI Standard A112.19.1M.

* Dimensions are to cabinet floor (not finished floor).

(T) Drain typically 19".

Cutout 41-3/4" x 20-3/4" with 2-1/4" radius corners.

 No drain piping to extend into this area for right-hand delivery.

 No drain piping to extend into this area for left-hand delivery.

To rough-in one center drain outlet rather than the two shown, route piping around the gray or crosshatched area.

