

## Ordering Information

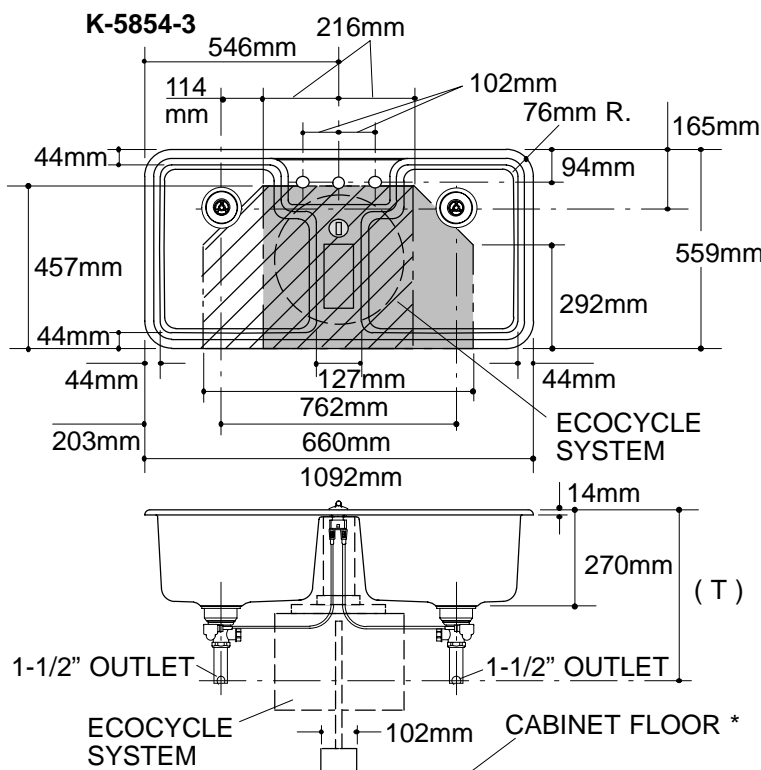
Applicable product:		
Three-hole sink	K-5854-3	shown
Single-hole sink	K-5854-1	not shown

## Product Information

Fixture*:		basin area	water depth
Sink		432 x 483mm	229mm
Outlet	Ø92mm		
Faucet holes	Ø35mm		
* Approximate measurements for comparison only.			

## Installation Notes

Refer to installation instructions included with fixture before beginning installation.



### Roughing-In Notes

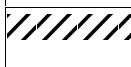
Fixture dimensions are nominal and conform to tolerances in ASME/ANSI Standard A112.19.1M.

\* Dimensions are to cabinet floor (not finished floor).

(T) Drain typically 483mm.

Cutout 1060 x 527mm with 57mm radius corners.

 No drain piping to extend into this area for right-hand delivery.

 No drain piping to extend into this area for left-hand delivery.

To rough-in one center drain outlet rather than the two shown, route piping around the gray or crosshatched area.

