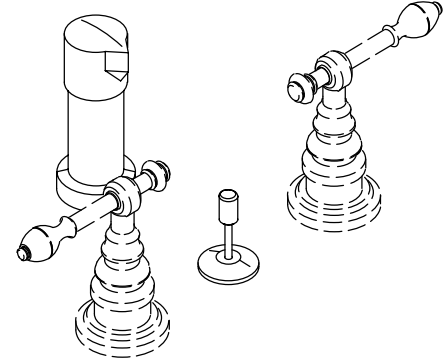


**BIDET FAUCET
K-6814**

FEATURES

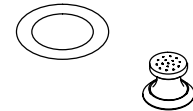
- Brass construction
- Flexible connections
- Brass valve bodies
- Quarter-turn washerless ceramic disc valves
- Pop-up drain with lift rod and tailpiece
- Available with cross or lever handles
- Vertical spray
- Fixture-mount transfer valve/vacuum breaker



CODES/STANDARDS APPLICABLE

Specified model meets or exceeds the following:



- ASME/ANSI A112.18.1M
- CSA B125
- IAPMO/UPC
- Listed in the State of Michigan

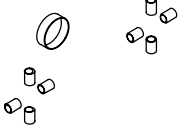
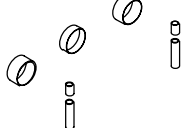


COLORS/FINISHES

- PB Polished Brass
- Other Refer to Faucets Price Book for additional finishes

SPECIFIED MODEL:

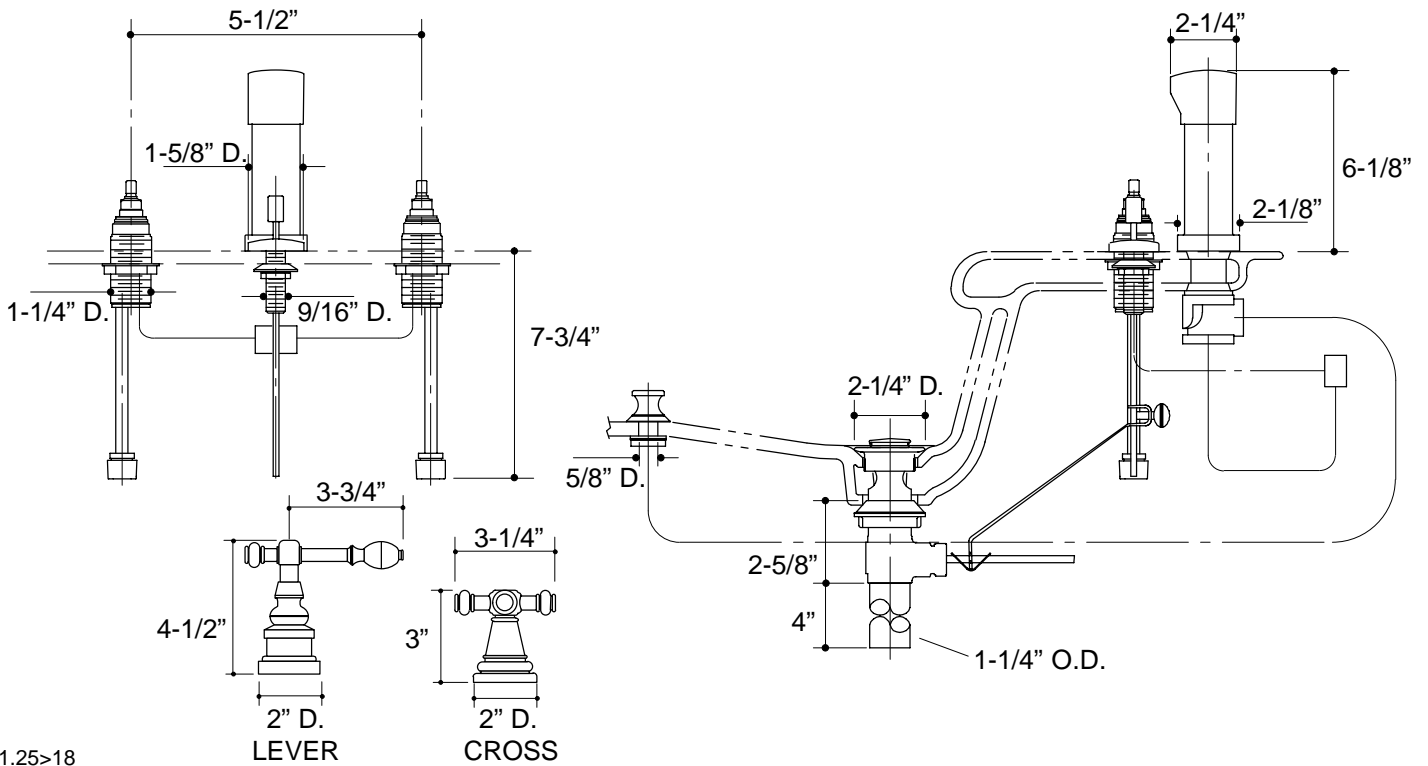
Model	Description	 ADA	 ADA
K-6814-3	With Cross Handles	<input type="checkbox"/> PB <input type="checkbox"/> Other_____	
K-6814-4	With Lever Handles		<input type="checkbox"/> PB <input type="checkbox"/> Other_____

Optional Accessories			
K-6792	IV Georges Brass Accent Kit (For K-6814-3)	<input type="checkbox"/> PB <input type="checkbox"/> Other_____	
K-6797	IV Georges Brass Accent Kit (For K-6814-4)		<input type="checkbox"/> PB <input type="checkbox"/> Other_____

PRODUCT SPECIFICATION:

Two-handle bidet faucet shall be of brass construction. Faucet shall feature brass valve bodies. Faucet shall feature quarter-turn washerless ceramic disc valves, assuring positive handle stop positioning. Product shall include flexible connections, pop-up drain with lift rod and tailpiece, cross or lever handles, transfer valve/vacuum breaker, and vertical spray. Faucet shall be Kohler Model K-6814-_____-_____.

IV GEORGES BRASS™



1.25>18

PRODUCT DIAGRAM