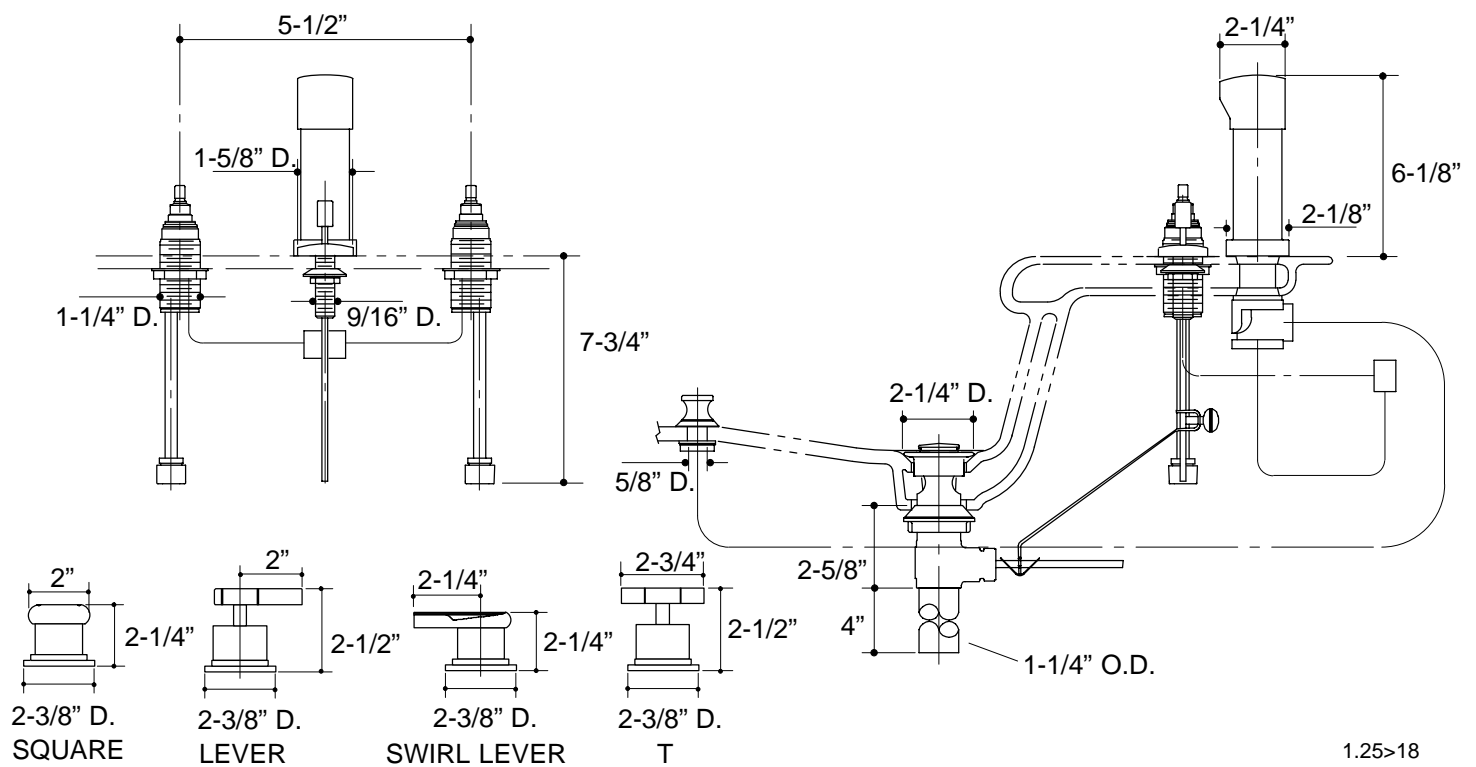


Ordering Information

Applicable faucet:	
With square handles	K-8247-2
With lever handles	K-8247-4
With swirl lever handles	K-8247-4A
With T-handles	K-8247-6
ADA Lever handles are ADA compliant	



1.25>18

K-8247 Taboret® Bidet Faucet
113811-1-AA (9619)

KOHLER®

NOTES: