

Ordering Information

Applicable product:		
Three-hole laundry sink	K-6582-3	shown
Two-hole laundry sink	K-6582-2	not shown
Accessories/hardware:		
Metal frame	K-6503	recommended

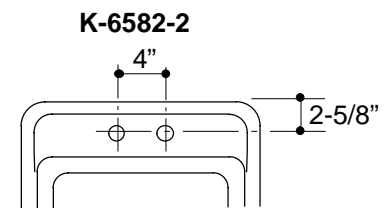
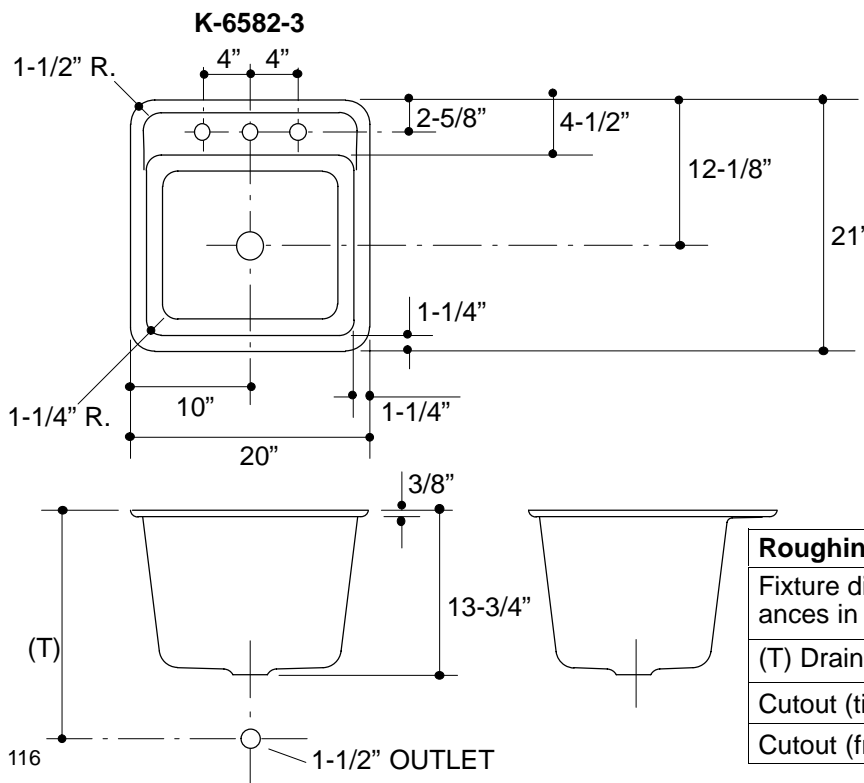
Product Information

Fixture*:		basin area	water depth
Sink		18" x 15"	12-5/8"
Water capacity	15 gals.		
Outlets	2-1/8" D.		
Faucet holes	1-3/8" D.		

* Approximate measurements for comparison only.

Installation Notes

Refer to installation instructions included with fixture before beginning installation.



Roughing-In Notes

Fixture dimensions are nominal and conform to tolerances in ASME/ANSI Standard A112.19.1M.

(T) Drain typically 19-1/8".

Cutout (tile-in) 18-3/4" x 19-3/4" with 1" radius corners

Cutout (frame) Metal frame required.