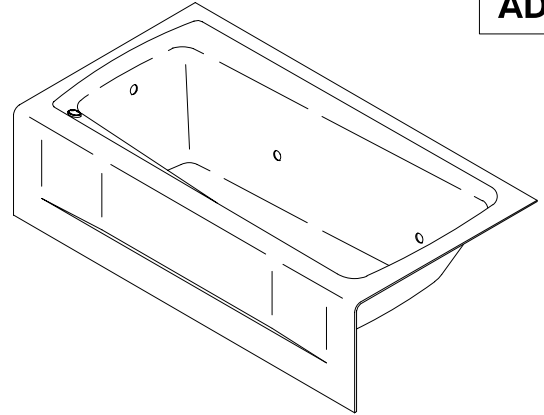


K-513-H, K-514-H

ADA



FEATURES

- 60" x 32" x 16-1/4"
- Cast iron with Safeguard® finish
- Left or right outlet
- System II - 1 hp 2 speed pump with integral heater & electronic switch
- 4 Flexjets
- UL Listed
- ADA compliant when installed with seat at head end
- LESS ALL TRIM
- Pump is supplied with a grounding-type plug in cord

CODES/STANDARDS APPLICABLE

Specified model meets or exceeds the following:

- ADA
- ASME/ANSI A112.19.1M
- ASME/ANSI A112.19.7M
- CABO/ANSI A117.1
- IAPMO/UPC
- Underwriters Laboratories (UL)
- State of Massachusetts

COLORS/FINISHES

- 0 White
- Other Refer to Fixtures Price Book for additional colors

Accessories:

- CP Polished Chrome
- PB Polished Brass
- Other Refer to Faucets Price Book for additional finishes

SPECIFIED MODEL:

Model	Description	Colors/Finishes	
K-513-H	Bath whirlpool with outlet at left	<input type="checkbox"/> 0 White	<input type="checkbox"/> Other_____
K-514-H	Bath whirlpool with outlet at right	<input type="checkbox"/> 0 White	<input type="checkbox"/> Other_____

Required Accessories			
K-9694	Jet trim kit	<input type="checkbox"/> CP	<input type="checkbox"/> PB <input type="checkbox"/> Other_____
Recommended Accessories			
K-7160-TF	Drain	<input type="checkbox"/> CP	<input type="checkbox"/> PB <input type="checkbox"/> Other_____

PRODUCT SPECIFICATION:

The bath whirlpool shall be 60" in length, 32" in width, and 16-1/4" in height. Bath whirlpool shall be made of cast iron with Safeguard finish. Bath whirlpool shall have left or right outlet. Bath whirlpool shall have System II, with 4 Flexjets, 1 hp 2 speed pump with integral heater, and electronic switch. Bath whirlpool shall be UL Listed. Bath whirlpool shall be ADA compliant when installed with seat at head end. Bath whirlpool shall be less all trim. Bath whirlpool pump shall be supplied with a grounding-type plug-in cord. Bath whirlpool shall be Kohler Model K-_____-_____-_____.

REQUIRED ELECTRICAL SERVICE

Dedicated circuit required, protected with Class A Ground-Fault Circuit-Interrupter (GFCI):	
Pump/control	120 V., 20 A, 60 Hz

PRODUCT INFORMATION

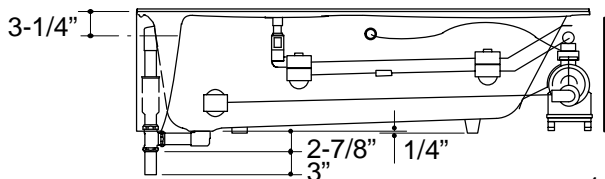
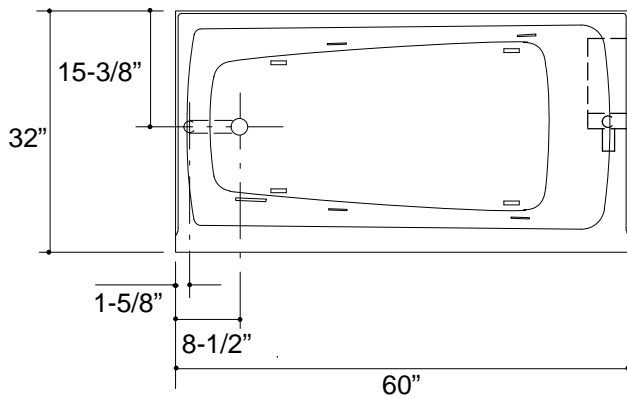
Fixture*:	basin area	top area	weight
Bathing well	42-1/2" x 20"	53-3/4" x 24"	450 lbs.
	water depth	capacity	
To overflow	10-3/4"	45 gal.	

* Approximate measurements for comparison only.

Pump	high HP	low HP	V	Hz	A
2-speed	1	1/8	120	60	16.5

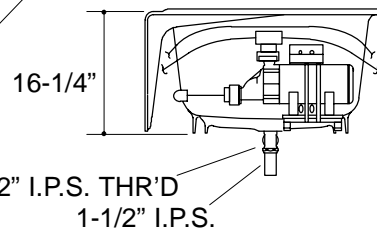
INSTALLATION NOTES

Each pump is supplied with a grounding type plug-in cord. Locate the outlet behind the whirlpool, and within 24" of the pump.



Roughing-In Notes		
No change in measurements if connected with drain illustrated.		
Minimum access panel:		
Pump/control	20" W x 15" H	required

PUMP/CONTROL ACCESS



1.25>132

PRODUCT DIAGRAM