

Ordering Information

Applicable product:		
Left outlet	K-513-H	shown
Right outlet	K-514-H	not shown
Accessories/hardware:		
Jet trim kit	K-9694	required
Drain	K-7160-TF	recommended

Required Electrical Service

Dedicated circuit required, protected with Class A Ground-Fault Circuit-Interrupter (GFCI):	
Pump/control	120 V., 20 A, 60 Hz

Product Information

Fixture*:	basin area	top area	weight
Bathing well	1080 x 508mm	1365 x 610mm	204 Kg.
	water depth	capacity	
To overflow	273mm	170 litres	

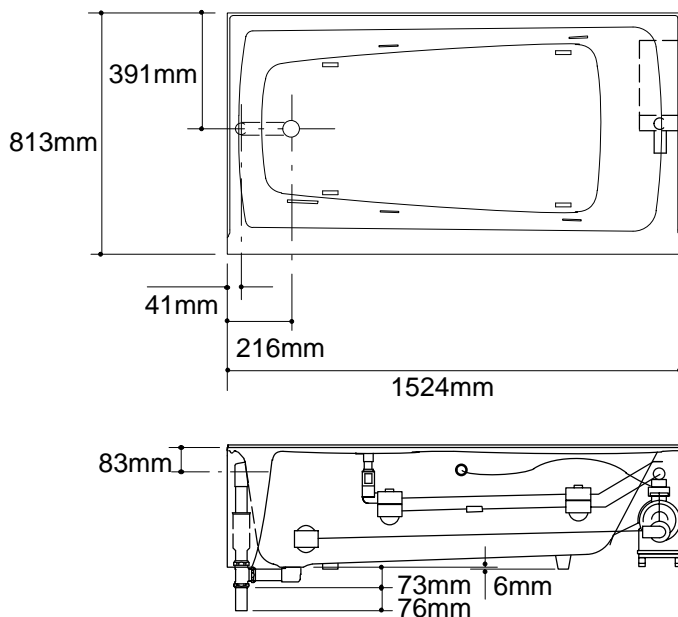
* Approximate measurements for comparison only.

Pump	high HP	low HP	V	Hz	A
2-speed	1	1/8	120	60	16.5

Installation Notes

Refer to installation instructions included with fixture before beginning installation.

Pump is supplied with a grounding type plug-in cord. Locate the outlet behind the whirlpool, and within 610mm of the pump.



Roughing-In Notes

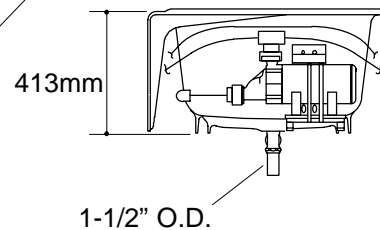
Fixture dimensions are nominal and conform to tolerances in ANSI/ASME Standard A112.19.1.

No change in measurements if connected with drain illustrated.

Minimum access panel:

Pump/control	508mm W x 381mm H panel	required
--------------	-------------------------	----------

PUMP/CONTROL ACCESS



1.25>132