

Ordering Information

Accessories/hardware:		
Jet trim kit	K-9694	required
Drain	K-7161-AF	recommended
Apron	K-1278	optional
Vinyl tiling-in bead*	K-1177	optional
*Use K-1177 vinyl bead when wall material contacts any top surface of bath.		

Required Electrical Service

Dedicated circuit required, protected with Class A Ground-Fault Circuit-Interrupter (GFCI):	
Pump/control	120 V., 20 A, 60 Hz

Product Information

Fixture*:	basin area	top area	weight
Bathing well	1118 x 559mm	1397 x 635mm	48 Kg.
	water depth	capacity	
To overflow	381mm	257 litres	

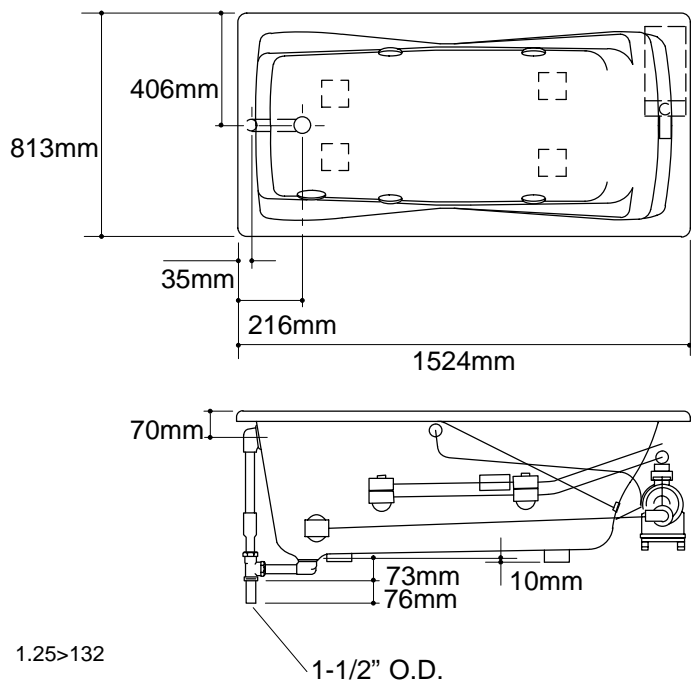
* Approximate measurements for comparison only.

Pump	high HP	low HP	V	Hz	A
2-speed	1	1/8	120	60	16.5

Installation Notes

Refer to installation instructions included with fixture before beginning installation.

Pump is supplied with a grounding type plug-in cord. Locate the outlet behind the whirlpool, and within 610mm of the pump.



Roughing-In Notes

Fixture conforms to ANSI Standard Z124.1. All dimensions are nominal.

No change in measurements if connected with drain illustrated.

Cut-out	1486 x 775mm
---------	--------------

Minimum access panel:

Pump/control	508mm W x 381mm H panel	required
--------------	-------------------------	----------

PUMP/CONTROL ACCESS

