

# K-1604, K-1606

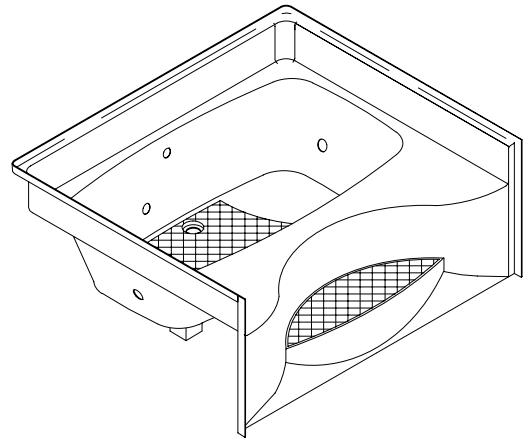
## FEATURES

- 60" x 51" x 25-3/4"
- Fiberglass (FRP)
- Left or right-hand pump
- System I - 3/4 hp pump with air switch actuator
- 4 factory-installed color-matched plastic Flexjets
- UL Listed
- Pump is supplied with a grounding-type plug in cord

## CODES/STANDARDS APPLICABLE

Specified model meets or exceeds the following:

- ANSI Z124.1
- ASME/ANSI A112.19.7M
- IAPMO/UPC
- Underwriters Laboratories (UL)
- State of Massachusetts



## COLORS/FINISHES

- 0 White
- Other Refer to Fixtures Price Book for additional colors

### Accessories:

- CP Polished Chrome
- PB Polished Brass
- Other Refer to Faucets Price Book for additional finishes

## SPECIFIED MODEL:

Model	Description	Colors/Finishes	
K-1604	Bath whirlpool with left-hand pump	<input type="checkbox"/> 0 White	<input type="checkbox"/> Other_____
K-1606	Bath whirlpool with right-hand pump	<input type="checkbox"/> 0 White	<input type="checkbox"/> Other_____

Recommended Accessories			
K-7161-AF	Drain	<input type="checkbox"/> CP	<input type="checkbox"/> PB <input type="checkbox"/> Other_____
Optional Accessories			
K-9694	Flexjet trim kit (metal finishes)	<input type="checkbox"/> CP	<input type="checkbox"/> PB <input type="checkbox"/> Other_____

## PRODUCT SPECIFICATION:

The bath whirlpool shall be 60" in length, 51" in width, and 25-3/4" in height. Bath whirlpool shall be made of fiberglass (FRP). Bath whirlpool shall have left or right-hand pump. Bath whirlpool shall have System I, 3/4 hp pump with air switch actuator. Bath whirlpool shall have 4 factory-installed color-matched plastic Flexjets. Bath whirlpool shall be UL listed. Bath whirlpool pump shall be supplied with a grounding-type plug-in cord. Bath whirlpool shall be Kohler Model K-\_\_\_\_\_-\_\_\_\_\_.

# CAPE MAY™

## REQUIRED ELECTRICAL SERVICE

Dedicated circuit required, protected with Class A Ground-Fault Circuit-Interrupter (GFCI):	
Pump/control	120 V., 15 A, 60 Hz

## PRODUCT INFORMATION

Fixture*:	basin area	top area	weight
Bathing well	44" x 25"	55" x 30"	120 lbs.
	water depth	capacity	
To overflow	11-1/2"	59 gal.	

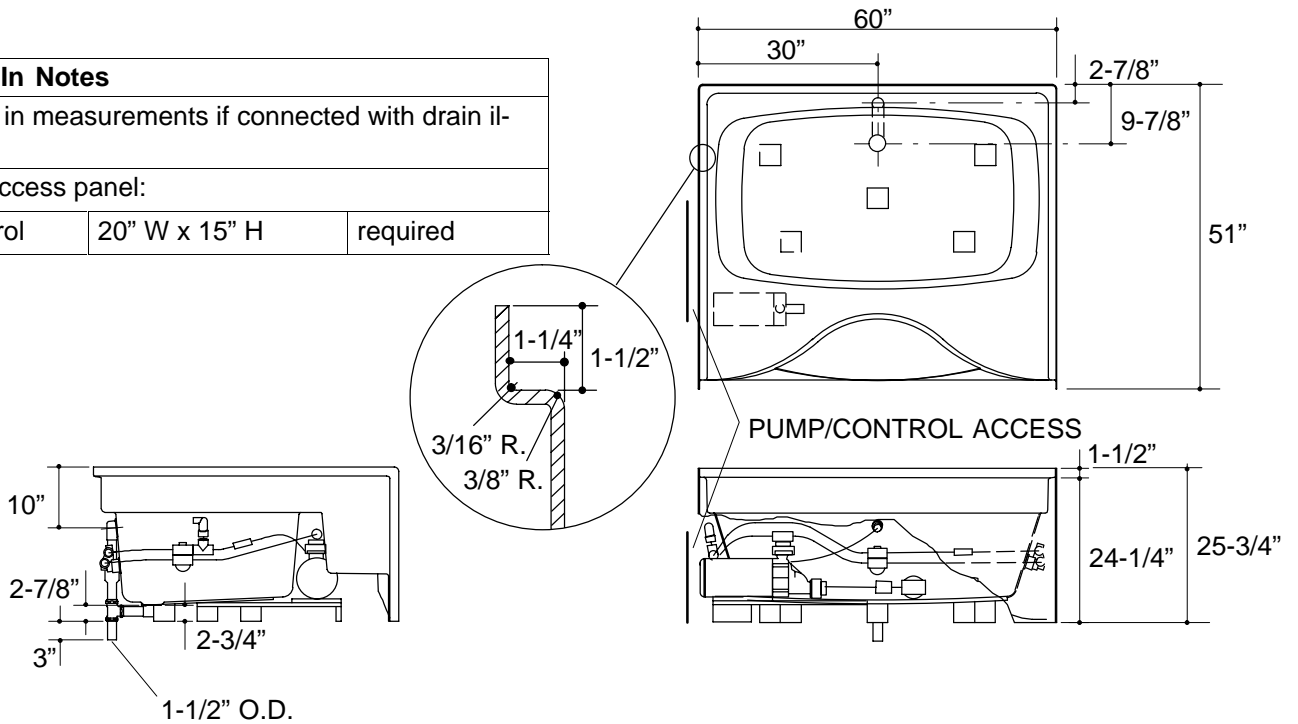
\* Approximate measurements for comparison only.

Pump:	HP	V	Hz	A
1-speed	3/4	120	60	10.5

## INSTALLATION NOTES

Each pump is supplied with a grounding type plug-in cord. Locate the outlet behind the whirlpool, and within 24" of the pump.

Roughing-In Notes		
No change in measurements if connected with drain illustrated.		
Minimum access panel:		
Pump/control	20" W x 15" H	required



132

## PRODUCT DIAGRAM