

Ordering Information

Applicable product:		
Left hand pump	K-1604	shown
Right hand pump	K-1606	not shown
Accessories/hardware:		
Jet trim kit	K-9694	included
Drain	K-7161-AF	recommended

Required Electrical Service

Dedicated circuit required, protected with Class A Ground-Fault Circuit-Interrupter (GFCI):	
Pump/control	120 V., 15 A, 60 Hz

Product Information

Fixture*:	basin area	top area	weight
Bathing well	1118 x 635mm	1397 x 762mm	54 Kg.
	water depth	capacity	
To overflow	292mm	223 litres	

* Approximate measurements for comparison only.

Pump:	HP	V	Hz	A
1-speed	3/4	120	60	10.5

Installation Notes

Refer to installation instructions included with fixture before beginning installation.

Pump is supplied with a grounding type plug-in cord. Locate the outlet behind the whirlpool, and within 610mm of the pump.

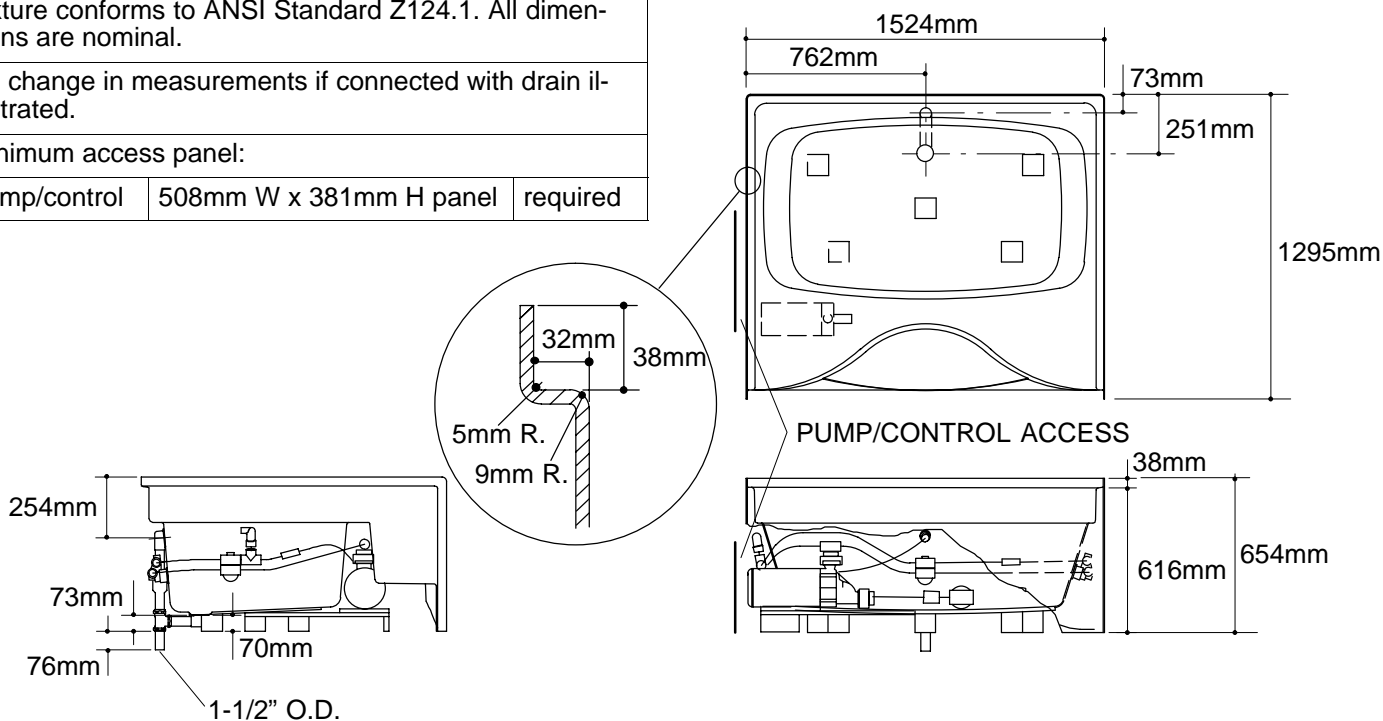
Roughing-In Notes

Fixture conforms to ANSI Standard Z124.1. All dimensions are nominal.

No change in measurements if connected with drain illustrated.

Minimum access panel:

Pump/control	508mm W x 381mm H panel	required
--------------	-------------------------	----------



132