

## Ordering Information

Accessories/hardware:		
Jet trim kit	K-9694	included
Drain	K-7161-AF	recommended

## Required Electrical Service

Dedicated circuit required, protected with Class A Ground-Fault Circuit-Interrupter (GFCI):	
Pump/control	120 V., 15 A, 60 Hz

## Product Information

Fixture*:	basin area	top area	weight
Bathing well	44" x 31"	50" x 34"	110 lbs.
	water depth	capacity	
To overflow	15"	69 gal.	

\* Approximate measurements for comparison only.

Pump:	HP	V	Hz	A
1-speed	3/4	120	60	10.5

### Included Components:

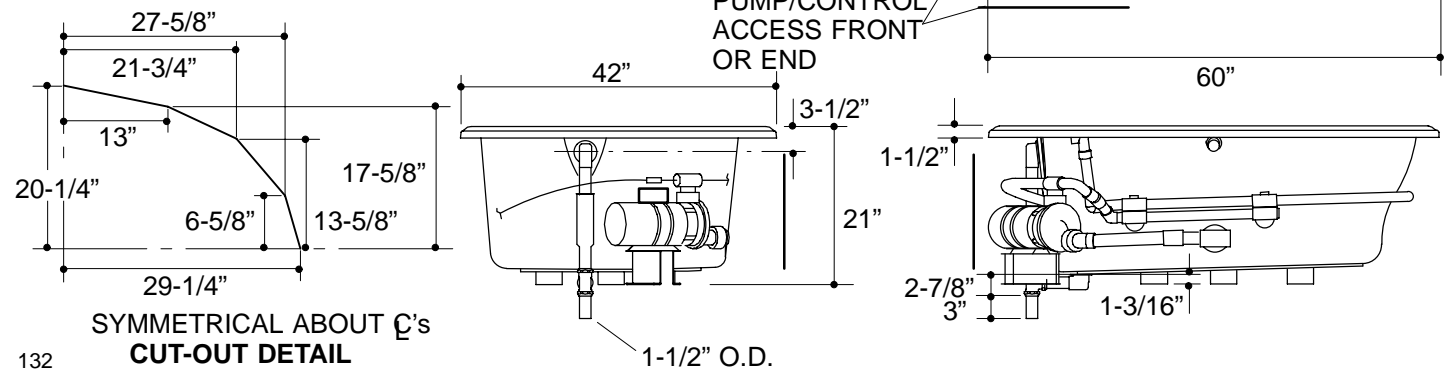
Cutout template	113926-7
-----------------	----------

## Installation Notes

If installing a rim-mount faucet, make sure there is no interference with drain overflow and circulating system before drilling any holes. Consult local and national codes for minimum air gap requirements if installing a spout on the faucet deck.

Pump is supplied with a grounding type plug-in cord. Locate the outlet behind the whirlpool, and within 24" of the pump.

<b>Roughing-In Notes</b>		
Fixture conforms to ANSI Standard Z124.1. All dimensions are nominal.		
No change in measurements if connected with drain illustrated.		
Minimum access panel:		
Pump/control	20" W x 15" H	required
Provide pump/control access in either location shown; supplies must not interfere with pump/control access.		
Faucet area		recommended



132