

Ordering Information

Applicable product:		
Heater version	K-1433-H	shown
Non-heater version	K-1433	not shown
Accessories/hardware:		
Jet trim kit	K-9696	required
Drain	K-7167	recommended
Apron	K-1435	optional
Vinyl tiling-in bead*	K-1181	optional
*Use K-1181 vinyl bead when wall material contacts any top surface of bath		

Required Electrical Service

Dedicated circuit required, protected with Class A Ground-Fault Circuit-Interrupter (GFCI):	
Pump/control, heater	120 V., 20 A, 60 Hz
Pump/control, non-heater	120 V., 15 A, 60 Hz

Product Information

Fixture*:	basin area	top area	weight
Bathing well	1143 x 635mm	1676 x 838mm	70 Kg.
	water depth	capacity	
To overflow	483mm	424 litres	

* Approximate measurements for comparison only.

Pump	high HP	low HP	V	Hz	A
2-speed, H version	1	1/8	120	60	16.5
1-speed	3/4	—	120	60	10.5

Included Components:

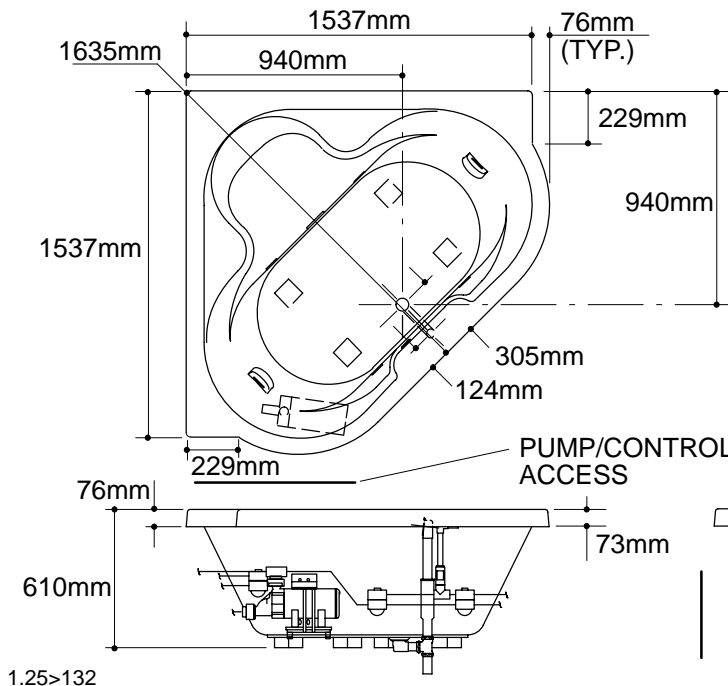
Cutout template	111461-7
-----------------	----------

Installation Notes

Refer to installation instructions included with fixture before beginning installation.

If installing a rim-mount faucet, make sure there is no interference with drain overflow and circulating system before drilling any holes. Consult local and national codes for minimum air gap requirements if installing a spout on the faucet deck.

Pump is supplied with a grounding type plug-in cord. Locate the outlet behind the whirlpool, and within 610mm of the pump.



Roughing-In Notes	
Fixture conforms to ANSI Standard Z124.1. All dimensions are nominal.	
No change in measurements if connected with drain illustrated.	
Cut-out	1499 x 1499mm corner installation. Unit must be on job site to determine cut-out radius of contoured front.
Minimum access panel:	
Pump/control	508mm W x 381mm H required

