

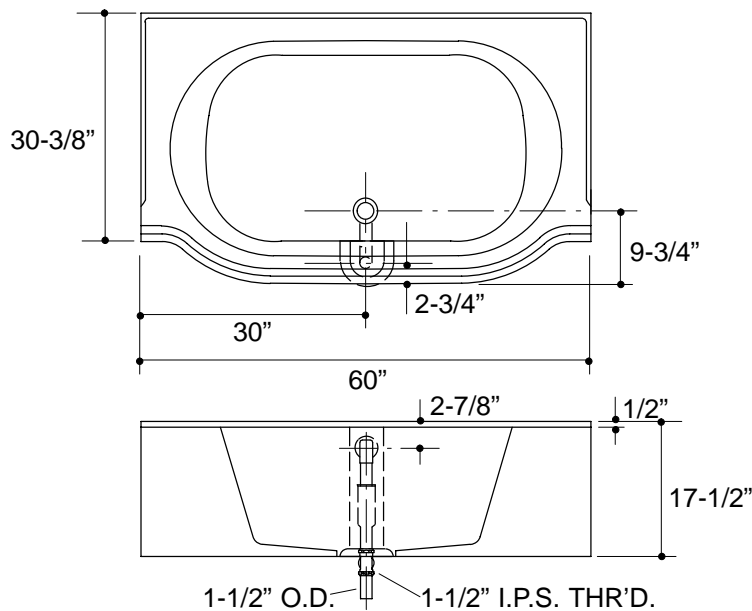
Ordering Information

Accessories/hardware:		
Drain	K-7161-AF	optional
Shroud and base	K-8740	optional
Decorative drain	K-7178	optional

Product Information

Fixture*:	basin area	top area	weight
Bathing well	44" x 22"	52" x 29"	348 lbs.
	water depth	capacity	
To overflow	12-1/2"	58 gals.	

* Approximate measurements for comparison only.

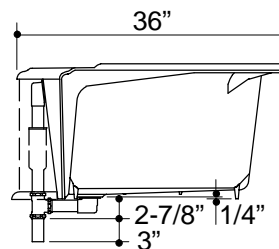


Roughing-In Notes

Fixture dimensions are nominal and conform to tolerances in ANSI Standard A112.19.1M.

No change in measurements if connected with drain illustrated.

For optional drain shroud, the finished floor thickness cannot exceed 1-1/8". Shim bath if necessary.



1.25>132

K-873 Revival™ Bath
113944-1-AA (9421)

KOHLER®