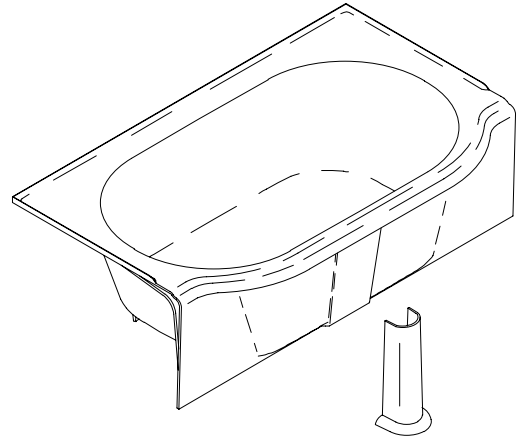


### FEATURES

- 60" x 36" x 17-1/2"
- Cast iron with Safeguard® finish



### CODES/STANDARDS APPLICABLE

Specified model meets or exceeds the following:

- ASME/ANSI A112.19.1M
- IAPMO/UPC
- Canadian Standards Association (CSA)
- State of Massachusetts

### COLORS/FINISHES

- 0 White
- Other Refer to Fixtures Price Book for additional colors

#### Accessories:

- CP Polished Chrome
- PB Polished Brass
- Other Refer to Faucets Price Book for additional finishes

### SPECIFIED MODEL:

Model	Description	Colors/Finishes	
K-873	Bath	<input type="checkbox"/> 0 White	<input type="checkbox"/> Other_____

Optional Accessories				
K-7178	Decorative drain <b>OR</b>	<input type="checkbox"/> CP	<input type="checkbox"/> PB	<input type="checkbox"/> Other_____
K-7161-AF	Drain	<input type="checkbox"/> CP	<input type="checkbox"/> PB	<input type="checkbox"/> Other_____
K-8740	Shroud	<input type="checkbox"/> 0 White	<input type="checkbox"/> Other_____	

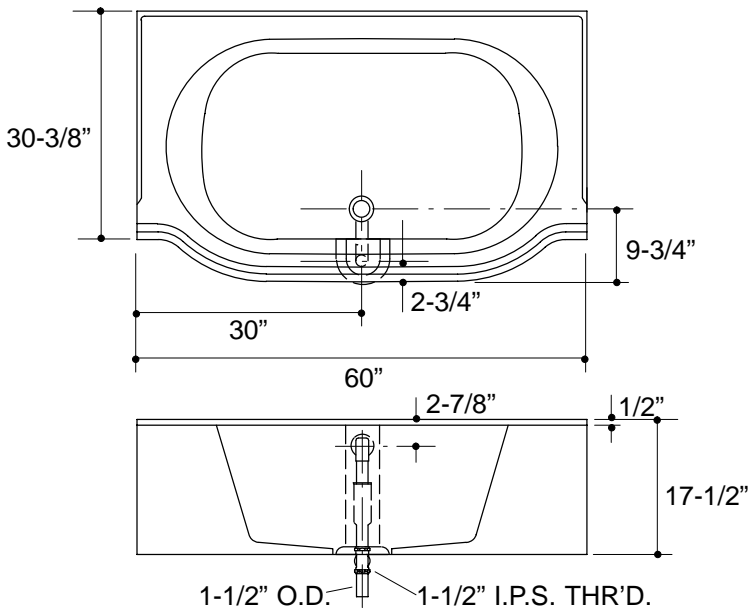
### PRODUCT SPECIFICATION:

The bath shall be 60" in length, 36" in width, and 17-1/2" in height. Bath shall be made of cast iron with Safeguard finish. Bath shall be Kohler Model K-873-\_\_\_\_\_.

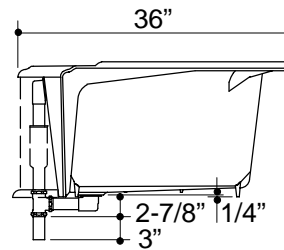
## PRODUCT INFORMATION

Fixture*:	basin area	top area	weight
Bathing well	44" x 22"	52" x 29"	348 lbs.
	water depth	capacity	
To overflow	12-1/2"	58 gals.	

\* Approximate measurements for comparison only.



Roughing-In Notes
No change in measurements if connected with drain illustrated.
For optional drain shroud, the finished floor thickness cannot exceed 1-1/8". Shim bath if necessary.



1.25>132

## PRODUCT DIAGRAM