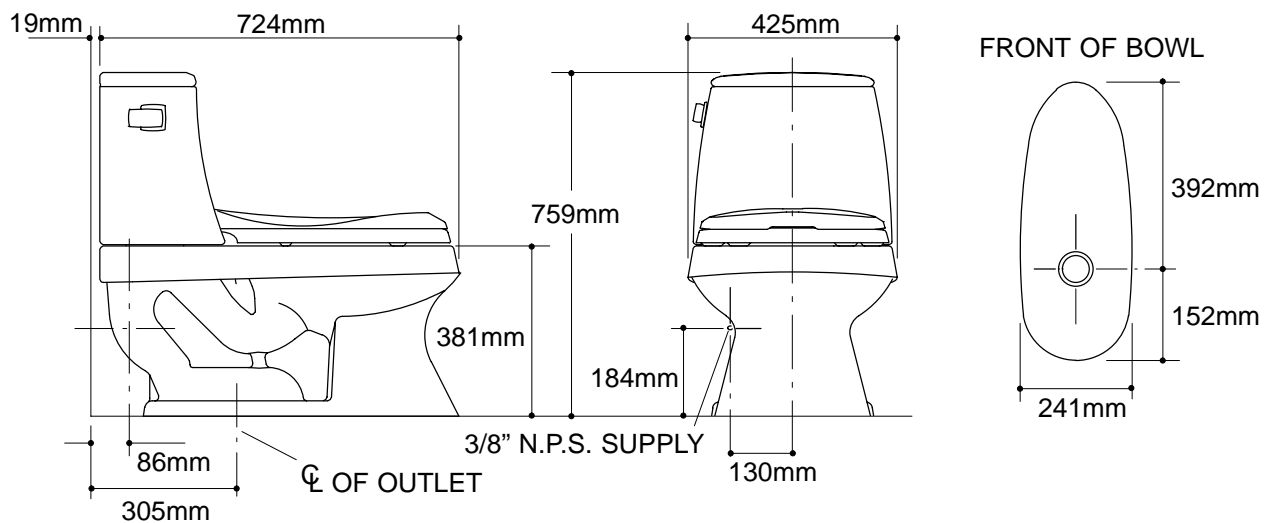


## Ordering Information

Applicable product:		
Toilet with standard tank	K-3446	shown
Toilet with insuliner tank	K-3446-U	not shown
Accessories/hardware:		
3/8" supply	K-7637	recommended
Floor bolts (pr.)	21401	recommended
Seat	K-4653	recommended

## Product Information

Fixture:	
Configuration	2-piece, elongated
Litres per flush	6 litres
Passageway	51mm
Water depth from rim	175mm
Seat post hole centers	140mm
Included Components:	
Bowl	K-4246
Tank	K-4646
Tank cover	83584



### Roughing-In Notes

Fixture dimensions are nominal and conform to tolerances in ASME Standard A112.19.2M.