

Ordering Information

Accessories/hardware:		
Jet trim kit	K-9694	required
Drain	K-7169-AF	required
Adjustable feet	K-1172	optional
Undermount installation kit	K-586	optional
Vinyl tiling-in bead*	K-1179	optional
*Use K-1179 vinyl bead when wall material contacts any top surface of bath.		

Required Electrical Service

Dedicated circuit required, protected with Class A Ground-Fault Circuit-Interrupter (GFCI):	
Pump/control	120 V., 20 A, 60 Hz

Product Information

Fixture*:	basin area	top area	weight
Bathing well	1041 x 508mm	1397 x 635mm	127 Kg.
	water depth	capacity	
To overflow	346mm	227 litres	

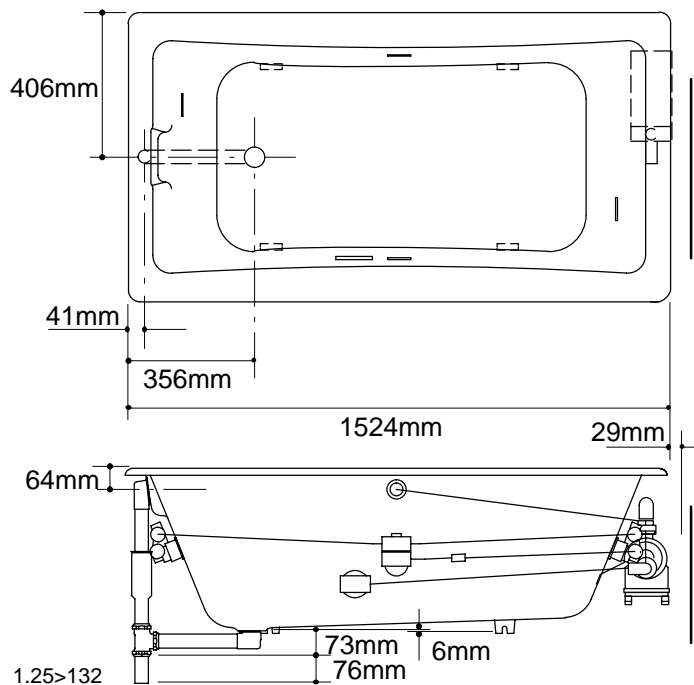
* Approximate measurements for comparison only.

Pump	high HP	low HP	V	Hz	A
2-speed	1	1/8	120	60	16.5

Installation Notes

Refer to installation instructions included with fixture before beginning installation.

Pump is supplied with a grounding type plug-in cord. Locate the outlet behind the whirlpool, and within 610mm of the pump.



Roughing-In Notes

Fixture dimensions are nominal and conform to tolerances in ANSI/ASME Standard A112.19.1.

No change in measurements if connected with drain illustrated.

Pump extends 29mm beyond the bath rim. Make provisions during rough-in or installation.

Cut-out for drop-in	1486 x 775mm
Cut-out for undermount	K-586 template required
Minimum access panel:	
Pump/control	508mm W x 381mm H panel required

