

### Ordering Information

Accessories/hardware:		
Jet trim kit	K-9696	included
Apron	K-1223	optional
Drain	K-7161-AF	recommended
Vinyl tiling-in bead*	K-1179	optional

\*Use K-1179 vinyl bead when wall material contacts any top surface of bath.

### Required Electrical Service

Dedicated circuit required, protected with Class A Ground-Fault Circuit-Interrupter (GFCI):	
Pump/control	120 V., 15 A, 60 Hz

### Product Information

Fixture*:	basin area	top area	weight
Bathing well	1194 x 940mm	1702 x 1067mm	54 Kg.
	water depth	capacity	
To overflow	429mm	462 litres	

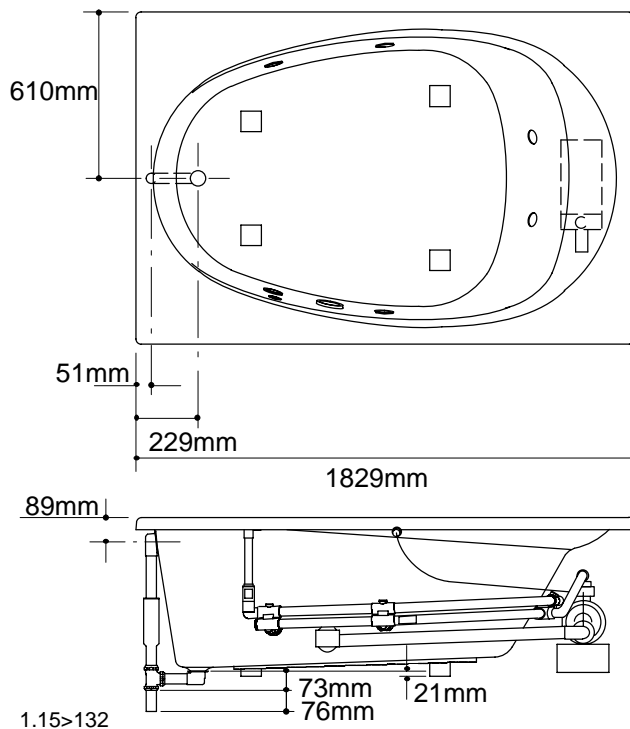
\* Approximate measurements for comparison only.

Pump:	HP	V	Hz	A
1-speed	3/4	120	60	10.5

### Installation Notes

Refer to installation instructions included with fixture before beginning installation.

Pump is supplied with a grounding type plug-in cord. Locate the outlet behind the whirlpool, and within 610mm of the pump.



### Roughing-In Notes

Fixture conforms to ANSI Standard Z124.1. All dimensions are nominal.

No change in measurements if connected with drain illustrated.

Cut-out 1784 x 1175mm

Minimum access panel:

Pump/control 508mm W x 381mm H panel required

### PUMP/CONTROL ACCESS

