

Ordering Information

Accessories/hardware:		
Jet trim kit	K-9695	included
Drain	K-7161-AF	recommended
Apron	K-1283	optional

Required Electrical Service

Dedicated circuit required, protected with Class A Ground-Fault Circuit-Interrupter (GFCI):	
Pump/control	120 V, 15 A, 60 Hz

Product Information

Fixture*:	basin area	top area	weight
Bathing well	48" x 26"	66" x 37"	103 lbs.
	water depth	capacity	
To overflow	14-1/4"	86 gal.	

* Approximate measurements for comparison only.

Pump:	HP	V	Hz	A
1-speed	3/4	120	60	10.5

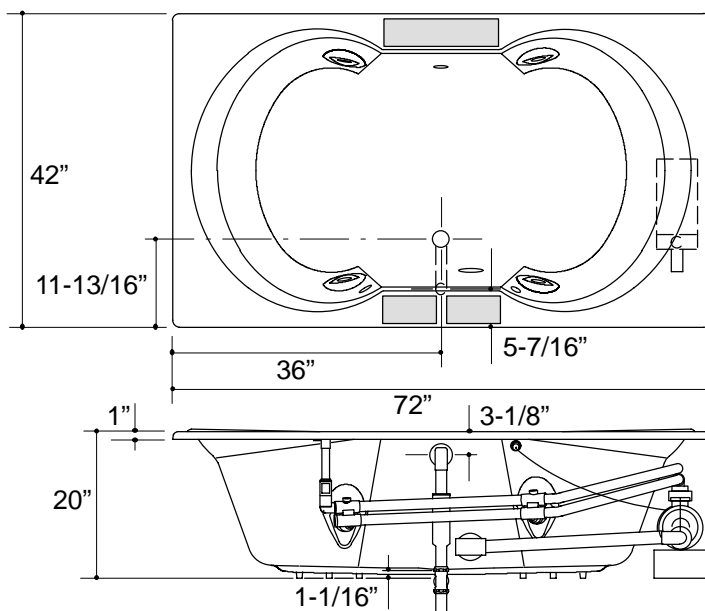
Installation Notes

Refer to installation instructions included with fixture before beginning installation.

If installing a rim-mount faucet, make sure there is no interference with drain overflow and circulating system before drilling any holes. Consult local and national codes for minimum air gap requirements if installing a spout on the faucet deck.

Pump is supplied with a grounding-type plug-in cord. Locate the outlet behind the whirlpool, and within 24" of the pump. The apron must be installed before the finish floor and wall materials are installed.

NOTICE: The Overture bath is designed for bathing only. It is not designed to be used in a three wall alcove with an overhead shower.



1.15>132

Roughing-In Notes

Fixture conforms to ANSI Standard Z124.1. All dimensions are nominal.

No change in measurements if connected with drain illustrated.

Cut-out	70-1/2" x 40-1/2"
---------	-------------------

Minimum access panel:

Pump/control	20" W x 15" H	required
Faucet area		recommended

PUMP/CONTROL ACCESS (IF APRON IS NOT USED)

