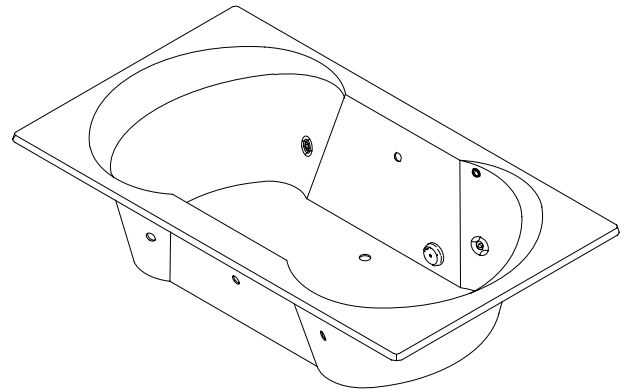


FEATURES

- 72" x 42" x 20"
- Vikrell
- System I - 3/4 hp pump with air switch actuator
- 5 factory-installed color-matched plastic Flexjets
- UL Listed
- Optional K-1283 front apron
- Pump is supplied with a grounding-type plug-in cord
- Slip-resistant floor



CODES/STANDARDS APPLICABLE

Specified model meets or exceeds the following:

- ASME/ANSI A112.19.7M
- IAPMO/UPC
- Underwriters Laboratories (UL)
- Dade County, Florida
- City of Los Angeles, CA
- State of Massachusetts

COLORS/FINISHES

- 0 White
- Other Refer to Fixtures Price Book for additional colors

Accessories:

- CP Polished Chrome
- PB Polished Brass
- Other Refer to Faucets Price Book for additional finishes

SPECIFIED MODEL:

Model	Description	Colors/Finishes		
K-1231	6' bath whirlpool	<input type="checkbox"/> 0 White	<input type="checkbox"/> Other_____	
Recommended Accessories				
K-7161-AF	Drain	<input type="checkbox"/> CP	<input type="checkbox"/> PB	<input type="checkbox"/> Other_____
Optional Accessories				
K-9695	Flexjet trim kit (metal finishes)	<input type="checkbox"/> CP	<input type="checkbox"/> PB	<input type="checkbox"/> Other_____
K-1283	Apron (removable)	<input type="checkbox"/> 0 White	<input type="checkbox"/> Other_____	

PRODUCT SPECIFICATION:

The bath whirlpool shall be 72" in length, 42" in width, and 20" in height. Bath whirlpool shall be made of Vikrell. Bath whirlpool shall have System I, 3/4 hp pump with air switch actuator. Bath whirlpool shall have 5 factory-installed color-matched plastic Flexjets. Bath whirlpool shall be UL listed. Bath whirlpool shall have optional K-1283 front apron. Bath whirlpool pump shall be supplied with a grounding-type plug-in cord. Bath whirlpool shall have slip-resistant floor. Bath whirlpool shall be Kohler Model K-1231-_____.

OVERTURE™

REQUIRED ELECTRICAL SERVICE

Dedicated circuit required, protected with Class A Ground-Fault Circuit-Interrupter (GFCI):	
Pump/control	120 V, 15 A, 60 Hz

PRODUCT INFORMATION

Fixture*:	basin area	top area	weight	
Bathing well	48" x 26"	66" x 37"	103 lbs.	
	water depth	capacity		
To overflow	14-1/4"	86 gal.		
* Approximate measurements for comparison only.				
Pump:	HP	V	Hz	A
1-speed	3/4	120	60	10.5

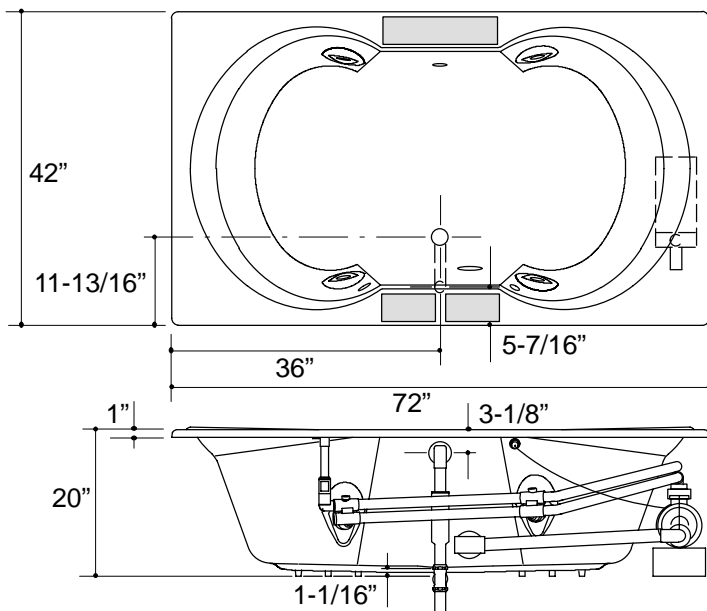
INSTALLATION NOTES

If installing a rim-mount faucet, make sure there is no interference with drain overflow and circulating system before drilling any holes. Consult local and national codes for minimum air gap requirements if installing a spout on the faucet deck.

Pump is supplied with a grounding-type plug-in cord. Locate the outlet behind the whirlpool, and within 24" of the pump. The apron must be installed before the finish floor and wall materials are installed.

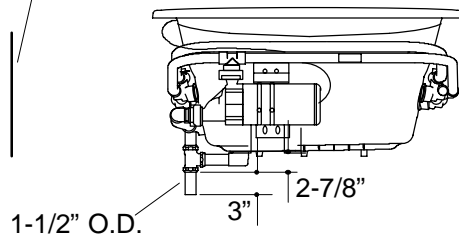
NOTICE: The Overture bath is designed for bathing only. It is not designed to be used in a three wall alcove with an overhead shower.

Roughing-In Notes		
No change in measurements if connected with drain illustrated.		
Cut-out	70-1/2" x 40-1/2"	
Minimum access panel:		
Pump/control	20" W x 15" H	required
Faucet area		recommended



1.15>132

PUMP/CONTROL ACCESS (IF APRON IS NOT USED)



PRODUCT DIAGRAM