

## Ordering Information

Accessories/hardware:		
Jet trim kit	K-9694	required
Drain	K-7169-AF	recommended
Apron	K-1393	optional
Vinyl tiling-in bead*	K-1177	optional

\*Use K-1177 vinyl bead when wall material contacts any top surface of bath.

## Required Electrical Service

Dedicated circuits required, protected with Class A Ground-Fault Circuit-Interrupter (GFCI):	
Pump/control	120 V., 20 A, 60 Hz

## Product Information

Fixture*:	basin area	top area	weight
Bathing well	42-3/4" x 24-1/4"	54-1/2" x 27-1/4"	107 lbs.
	water depth	capacity	
To overflow	16-1/4"	86 gal.	

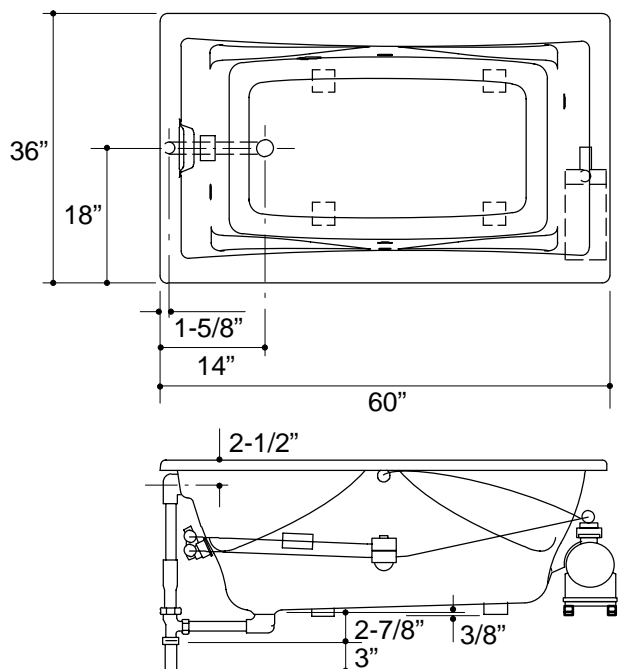
\* Approximate measurements for comparison only.

Pump	high HP	low HP	V	Hz	A
2-speed	1	1/8	120	60	16.5

## Installation Notes

Refer to installation instructions included with fixture before beginning installation.

Pump is supplied with a grounding type plug-in cord. Locate the outlet behind the whirlpool, and within 24" of the pump.



1.25>132

## Roughing-In Notes

Fixture dimensions are nominal and conform to tolerances in ANSI Standard Z124.1.

No change in measurements if connected with drain illustrated.

Cut-out	58-1/2" x 34-1/2"
---------	-------------------

Minimum access panel:

Pump/control	20" W x 15" H	required
--------------	---------------	----------

## PUMP/CONTROL ACCESS

