

### Ordering Information

Accessories/hardware:		
Bottom basin rack	K-6004	optional
Hardwood cutting board	K-6514	optional
Wire rinse basket	K-6518	optional
Duostrainer® sink strainer	K-8801	optional
Stainless steel sink strainer	K-8813	optional
Stainless steel sink strainer	K-8814	optional

### Product Information

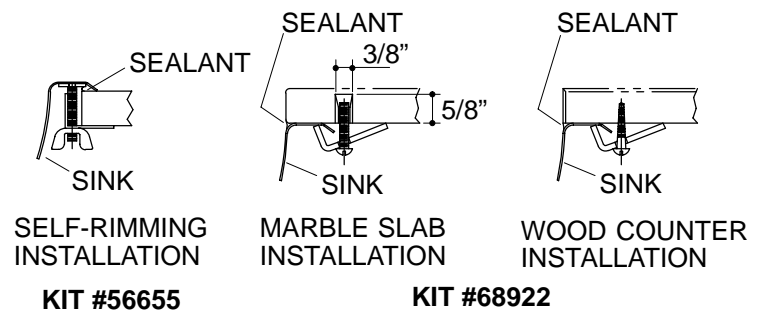
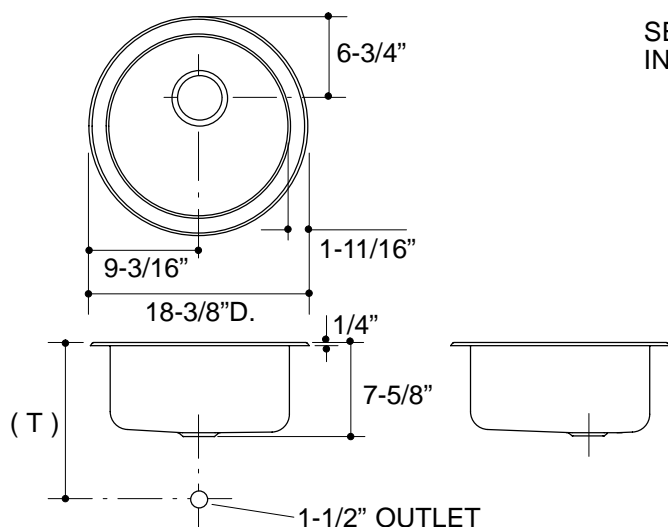
Fixture*:		basin area	water depth
Sink		15" D.	7-1/2"
Outlet	3-5/8" D.		

\* Approximate measurements for comparison only.

Included Components:	
Basin clamp assembly (undercounter)	68922
Basin clamp assembly (self-rimming)	56655
Cutout template	113392

### Installation Notes

Refer to installation instructions included with fixture before beginning installation.



**KIT #56655**

**KIT #68922**

NOTE: WATERPROOF UNPROTECTED OVERHANG AREA OF THE UNDERSIDE OF WOOD COUNTER.

#### Roughing-In Notes

Fixture dimensions are nominal and conform to tolerances in ASME/ANSI Standard A112.19.3M.

(T) Drain typically 13".

Supplied basin clamp assemblies require 1" minimum countertop thickness. Installer must supply hardware for thinner countertops.

For multiple bowl undercounter installations, a minimum distance of 3-1/2" is required between bowls. Countertop supplier to determine required support.