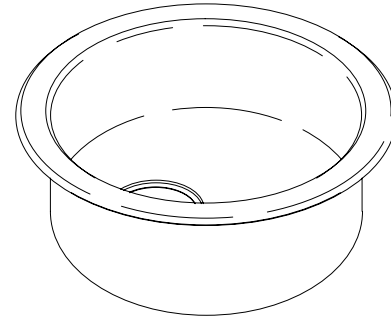


SELF-RIMMING/UNDERCOUNTER SINK

K-3341

FEATURES

- 18-3/8" diameter (self-rimming)
- 15" diameter (undercounter)
- 20 gauge stainless steel
- Undercounter or self-rimming
- Single compartment
- Round bowl
- Includes installation hardware



CODES/STANDARDS APPLICABLE

Specified model meets or exceeds the following:

- IAPMO/UPC
- Canadian Standards Association (CSA)
- State of Massachusetts

COLORS/FINISHES

- NA None Applicable

Accessories:

- CP Polished Chrome
- 0 White
- Other Refer to Faucets Price Book for additional finishes
- NA None Applicable

SPECIFIED MODEL:

Model	Description	Colors/Finishes
K-3341	Undercounter or self-rimming sink	<input type="checkbox"/> NA

Optional Accessories			
K-6004	Bottom basin rack	<input type="checkbox"/> 0 White	<input type="checkbox"/> Other_____
K-6514	Hardwood cutting board	<input type="checkbox"/> NA	
K-6518	Wire rinse basket	<input type="checkbox"/> 0 White	<input type="checkbox"/> Other_____
K-8801	Duostrainer sink strainer	<input type="checkbox"/> CP	<input type="checkbox"/> Other_____
K-8813	Stainless steel sink strainer	<input type="checkbox"/> CP	
K-8814	Stainless steel sink strainer	<input type="checkbox"/> CP	

PRODUCT SPECIFICATION:

The round self-rimming sink shall be 18-3/8" in diameter. The round undercounter sink shall be 15" in diameter, and 7-1/2" in depth. Sink shall be made of 20 gauge stainless steel. Sink shall be single compartment. Sink shall include installation hardware. Sink shall be Kohler Model K-3341-_____.

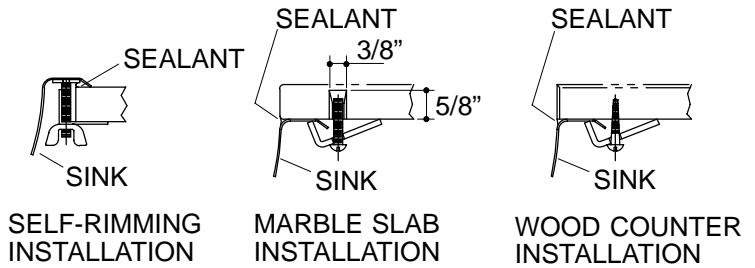
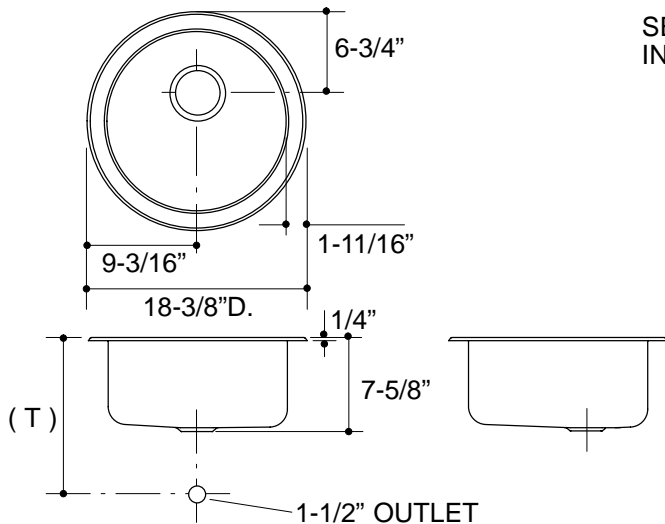
UNDERTONE/LYRIC™

PRODUCT INFORMATION

Fixture*:		basin area	water depth
Sink		15" D.	7-1/2"
Outlet	3-5/8" D.		

* Approximate measurements for comparison only.

Included Components:	
Basin clamp assembly (undercounter)	68922
Basin clamp assembly (self-rimming)	56655
Cutout template	113392



KIT #56655

KIT #68922

NOTE: WATERPROOF UNPROTECTED OVERHANG AREA OF THE UNDERSIDE OF WOOD COUNTER.

Roughing-In Notes

Supplied basin clamp assemblies require 1" minimum countertop thickness. Installer must supply hardware for thinner countertops.

For multiple bowl undercounter installations, a minimum distance of 3-1/2" is required between bowls. Countertop supplier to determine required support.

PRODUCT DIAGRAM