

### Ordering Information

Accessories/hardware:		
Bottom basin rack	K-6004	optional
Hardwood cutting board	K-6514	optional
Wire rinse basket	K-6518	optional
Duostrainer® sink strainer	K-8801	optional
Stainless steel sink strainer	K-8813	optional
Stainless steel sink strainer	K-8814	optional

### Product Information

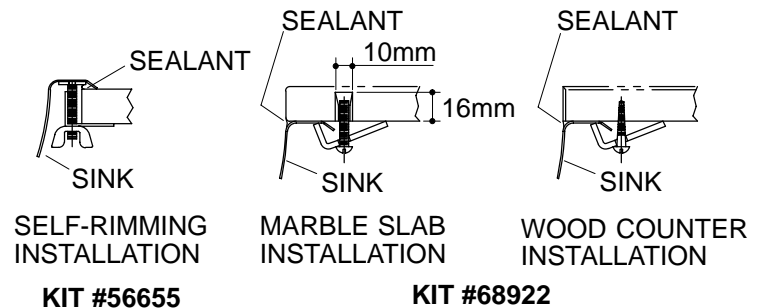
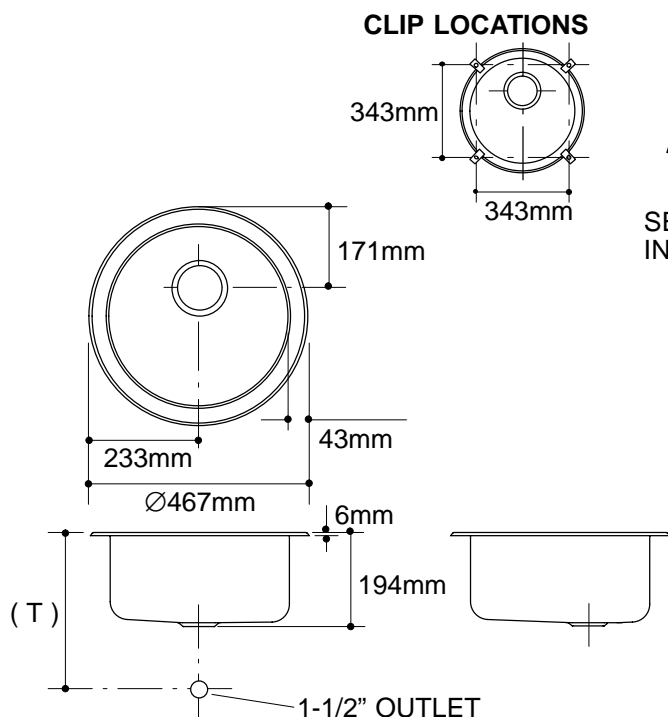
Fixture*:		basin area	water depth
Sink		Ø381mm	191mm
Outlet	Ø92mm		

\* Approximate measurements for comparison only.

Included Components:	
Basin clamp assembly (undercounter)	68922
Basin clamp assembly (self-rimming)	56655
Cutout template	113392

### Installation Notes

Refer to installation instructions included with fixture before beginning installation.



NOTE: WATERPROOF UNPROTECTED OVERHANG AREA OF THE UNDERSIDE OF WOOD COUNTER.

### Roughing-In Notes

Fixture dimensions are nominal and conform to tolerances in ASME/ANSI Standard A112.19.3M.

(T) Drain typically 330mm.

Supplied basin clamp assemblies require 25mm minimum countertop thickness. Installer must supply hardware for thinner countertops.

For multiple bowl undercounter installations, a minimum distance of 89mm is required between bowls. Countertop supplier to determine required support.