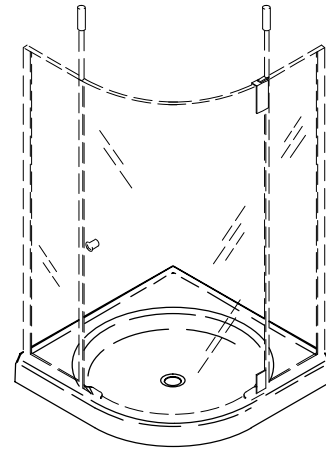


FEATURES

- 44" x 44"
- Acrylic
- Slip-resistant bottom
- Curved front



CODES/STANDARDS APPLICABLE

Specified model meets or exceeds the following:

- ANSI Z124.2

COLORS/FINISHES

- 0 White

Accessories:

- CP Polished Chrome
- PB Polished Brass
- Other Refer to Faucets Price Book for additional finishes
- NA None Applicable

SPECIFIED MODEL:

Model	Description	Colors/Finishes		
K-9537	Shower receptor	<input type="checkbox"/> 0 White		
Required Shower Enclosure				
K-9715	Shower enclosure	<input type="checkbox"/> 0 White		
Recommended Accessories				
K-9132	Drain	<input type="checkbox"/> CP	<input type="checkbox"/> PB	<input type="checkbox"/> Other _____
Optional Accessories				
K-1182	Vinyl tiling-in bead	<input type="checkbox"/> NA		

PRODUCT SPECIFICATION:

The curved front shower receptor shall be 44" in length and 44" in width. Shower receptor shall be made of acrylic. Shower receptor shall have slip-resistant bottom. Shower receptor shall be Kohler Model K-9537-_____.

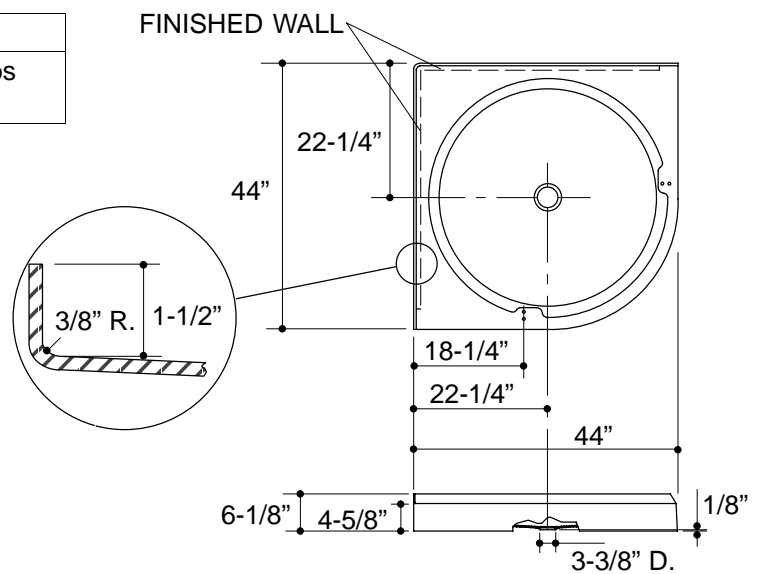
TROCADERO™

PRODUCT INFORMATION

Fixture:	
Weight, receptor	40 lbs.
Drain Outlet	3-3/8" D.

Roughing-In Notes

Leave studs exposed. Shower enclosure wall jambs must be installed directly to studs.



PRODUCT DIAGRAM