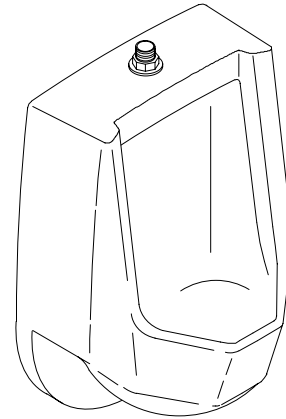


FEATURES

- Vitreous china
- Siphon jet
- 3/4" top spud
- 1.0 gallon flush
- ADA compliant when rim is mounted no higher than 17" from finished floor



CODES/STANDARDS APPLICABLE

Specified model meets or exceeds the following:

- ADA when rim is mounted no higher than 17" from finished floor
- ASME/ANSI A112.19.2M
- ASME/ANSI A112.19.6M
- CABO/ANSI A117.1
- Energy Policy Act of 1992 (EPACT)
- IAPMO/UPC
- Canadian Standards Association (CSA)
- States of Massachusetts, & Texas

COLORS/FINISHES

- 0 White
- Other Refer to Fixtures Price Book for additional colors

SPECIFIED MODEL:

| Model | Description | Colors/Finishes | |
|----------|----------------------|----------------------------------|-------------------------------------|
| K-4989-T | 3/4" top spud urinal | <input type="checkbox"/> 0 White | <input type="checkbox"/> Other_____ |

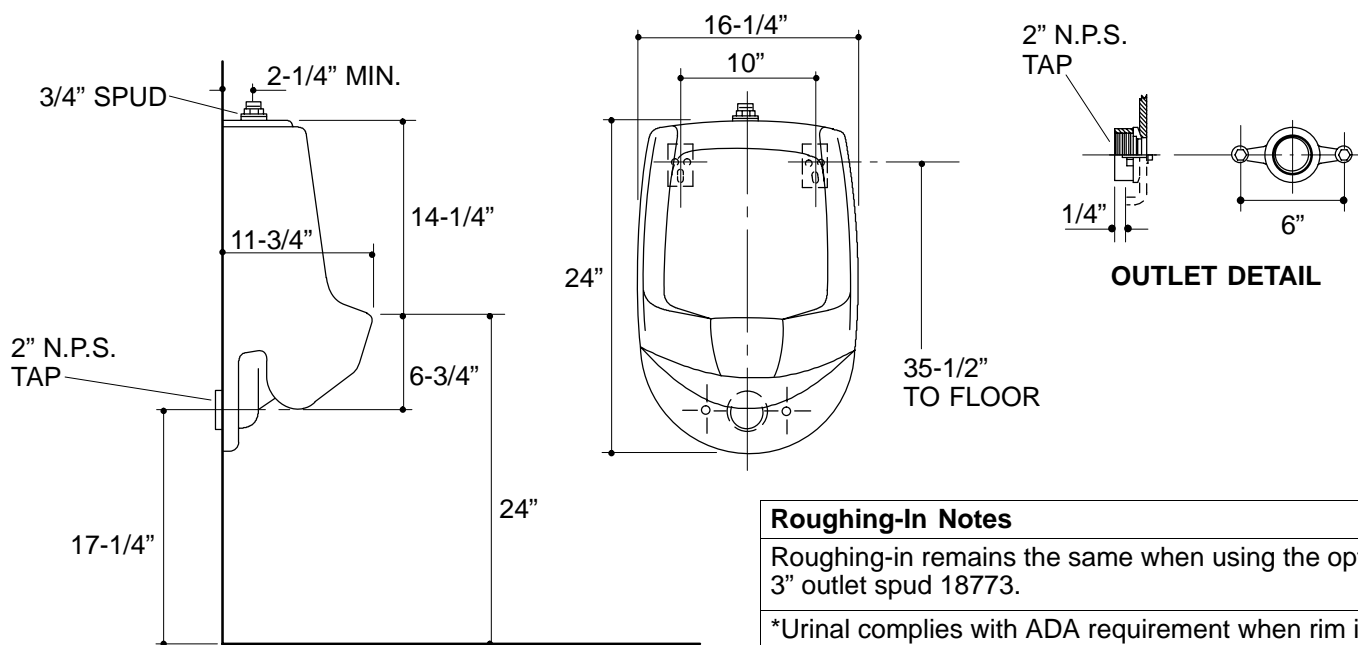
PRODUCT SPECIFICATION:

The siphon jet urinal shall be made of vitreous china with a 3/4" top spud. Urinal shall be 1.0 gallon flush. Urinal shall be ADA compliant when rim is mounted no higher than 17" from finished floor. Urinal shall be Kohler Model K-4989-T-_____.

FRESHMAN™

PRODUCT INFORMATION

| | |
|----------------------------------------------------------------------------------------------|-----------|
| ADA compliant. | |
| Fixture: | |
| Configuration | Top spud |
| Gallons per flush | 1 gallon* |
| Spud inlet size | 3/4" |
| * Designed to flush with one gallon of water when installed with a water saving flush valve. | |
| Included Components: | |
| 3/4" inlet spud | 18376 |
| 2" outlet spud | 18766 |
| Hanger (2 required) | 64512 |
| Flush valve requirements: Refer to manufacturer's instructions and local codes. | |



1.15>116

PRODUCT DIAGRAM