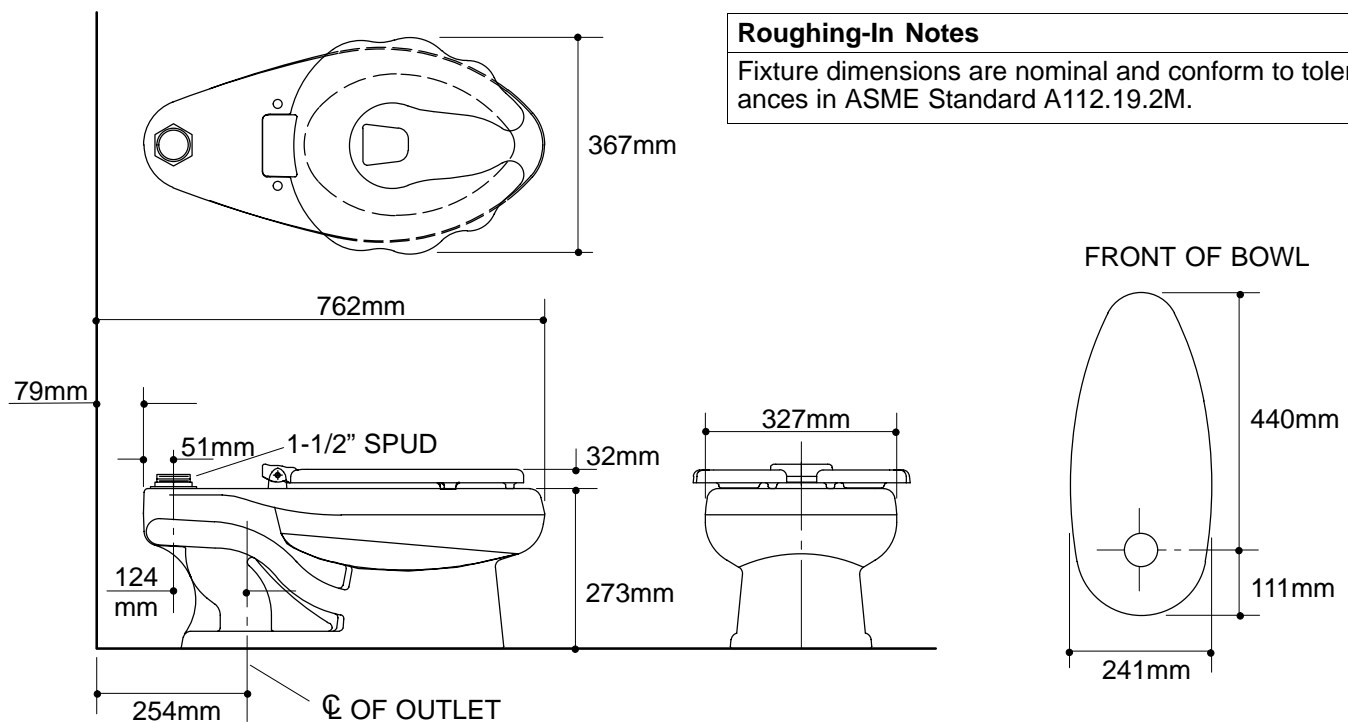


Ordering Information

Accessories/hardware:		
Floor bolts (pr.)	21401	recommended

Product Information

Fixture:	
Configuration	Top spud elongated
Litres per flush	6 litres*
Spud size	1-1/2"
Passageway	54mm
Water depth from rim	108mm
Seat post hole centers	140mm
* Designed to flush with 6 litres of water when installed with a 6 lpf flush valve.	
Included Components:	
Spud	18357
Seat	K-4686-A
Bolt cap accessory pack	52048
Flush valve requirements: Refer to manufacturer and local codes.	



Roughing-In Notes

Fixture dimensions are nominal and conform to tolerances in ASME Standard A112.19.2M.

1.25>116

K-4321 Primary™ Toilet
114038-1M-AA (B)

KOHLER®