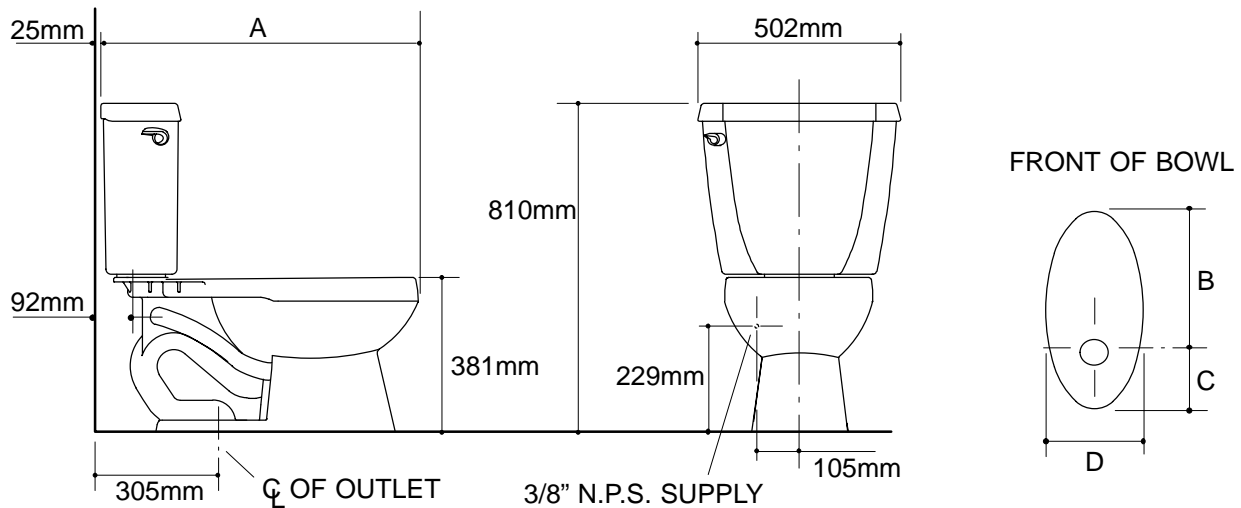


Ordering Information

| | | |
|-------------------------------------|-----------|-------------|
| Applicable toilet: | | |
| 2-piece toilet with elongated bowl | | |
| with standard tank | K-3420-K | shown |
| with insuliner tank | K-3420-KU | shown |
| 2-piece toilet with round bowl bowl | | |
| with standard tank | K-3421-K | not shown |
| with insuliner tank | K-3421-KU | not shown |
| Accessories/hardware: | | |
| 3/8" supply | K-7637 | recommended |
| Floor bolts (pr.) | 21401 | recommended |
| Seat for K-3420-K and K-3420-KU | | |
| Lustra | K-4652 | recommended |
| French Curve | K-4653 | recommended |
| Seat for K-3421-K and K-3421-KU | | |
| Lustra | K-4662 | recommended |

Product Information

| | |
|------------------------------|-------------|
| Fixture: | |
| Litres per flush | 6 litres |
| Passageway | 44mm |
| Water depth from rim | 171mm |
| Seat post hole centers | 140mm |
| Included Components: | |
| Bowl, K-3420-K and K-3420-KU | K-4236-AB |
| Bowl, K-3421-K and K-3421-KU | K-4237-AB |
| Tank | K-4512-K/KU |
| Tank cover | 82869 |
| Bolt cap accessory pack | 52048 |
| Tank accessory pack | 73062 |
| Trip lever | 84128 |



| Roughing-In Notes | | | | |
|-------------------|-------|-------|-------|-------|
| | A | B | C | D |
| K-3420-K/KU | 748mm | 397mm | 156mm | 241mm |
| K-3421-K/KU | 699mm | 359mm | 157mm | 248mm |

.9<116