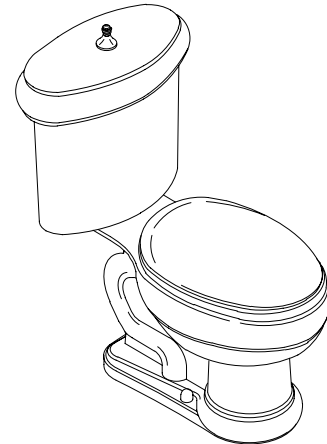


FEATURES

- 12" rough-in
- Vitreous china
- Elongated bowl
- Includes seat and cover
- Includes polished chrome lift knob
- Less supply
- 1.6 gpf
- Combination toilet
- Polished brass lift knob and seat trim (-BR)
- Brushed chrome lift knob and polished chrome seat trim (-G)
- With Insuliner® insulated tank lining (-U)



CODES/STANDARDS APPLICABLE

Specified model meets or exceeds the following:

- ASME/ANSI A112.19.2M
- ASME/ANSI A112.19.6M
- IAPMO/UPC
- Energy Policy Act of 1992 (EPACT)
- Canadian Standards Association (CSA)
- States of Massachusetts, New York, & Texas
- City of Los Angeles, CA

COLORS/FINISHES

- 0 White
- Other Refer to Fixtures Price Book for additional colors

Accessories:

- CP Polished Chrome
- PB Polished Brass
- Other Refer to Price Book for additional colors

SPECIFIED MODEL:

Model	Description	Colors/Finishes	
K-3455	Elongated bowl toilet	<input type="checkbox"/> 0 White	<input type="checkbox"/> Other_____
K-3455-BR	Toilet with polished brass lift knob and seat trim	<input type="checkbox"/> 0 White	<input type="checkbox"/> Other_____
K-3455-G	Toilet with brushed chrome lift knob and polished chrome seat trim	<input type="checkbox"/> 0 White	<input type="checkbox"/> Other_____
K-3455-U	Elongated bowl toilet with insuliner	<input type="checkbox"/> 0 White	<input type="checkbox"/> Other_____
K-3455-BU	Toilet with insuliner, polished brass lift knob and seat trim	<input type="checkbox"/> 0 White	<input type="checkbox"/> Other_____
K-3455-GU	Toilet with insuliner, brushed chrome lift knob and polished chrome seat trim	<input type="checkbox"/> 0 White	<input type="checkbox"/> Other_____

Recommended Accessories

K-7637	Angle supply with stop	<input type="checkbox"/> CP	<input type="checkbox"/> PB	<input type="checkbox"/> Other_____
--------	------------------------	-----------------------------	-----------------------------	-------------------------------------

PRODUCT SPECIFICATION:

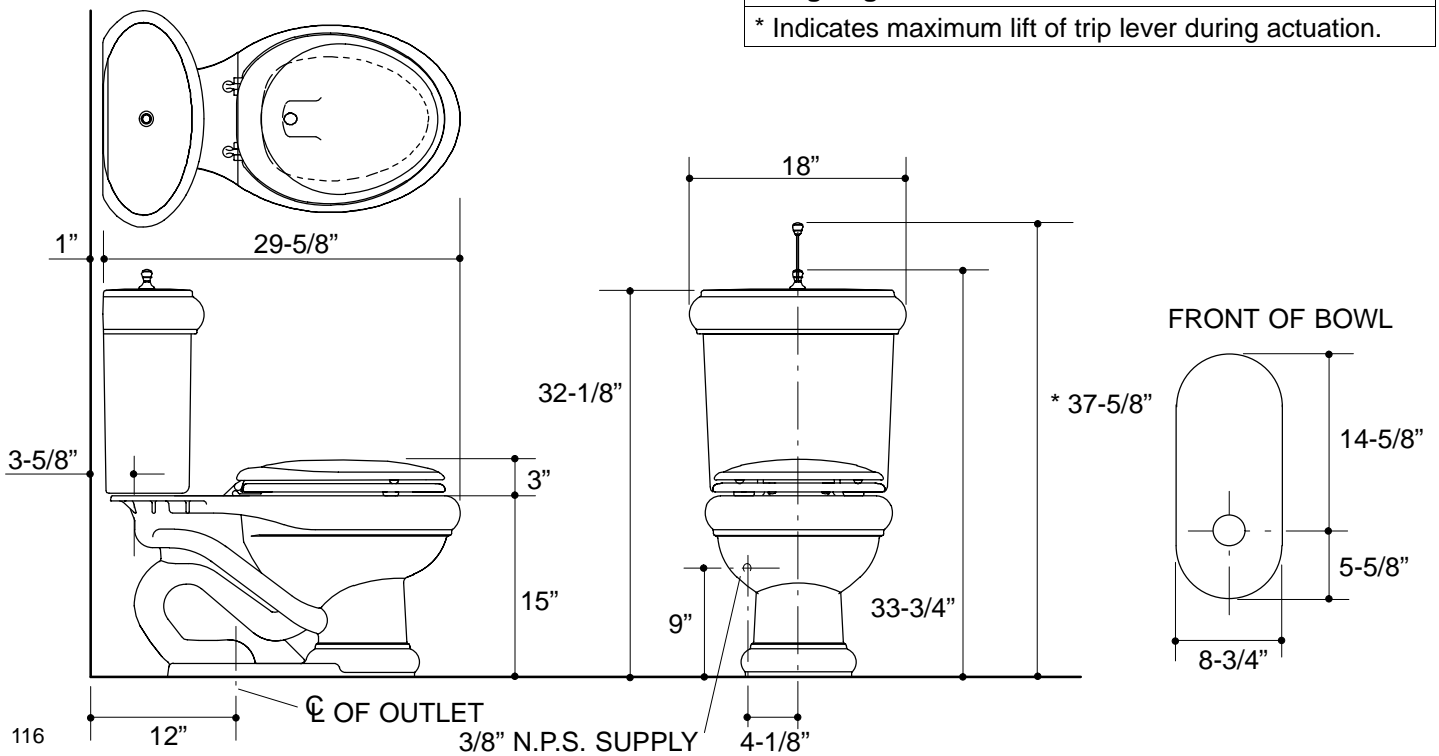
The elongated toilet combination shall be 12" rough-in. Toilet shall be made of vitreous china. Toilet shall include seat and cover. Toilet shall include polished chrome lift knob. Toilet shall be less supply. Toilet shall be 1.6 gpf. Toilet shall have polished brass lift knob and seat trim (-BR). Toilet shall have brushed chrome lift knob and polished chrome seat trim (-G). Toilet shall have Insuliner® insulated tank lining (-U). Toilet shall be Kohler Model K-3455-_____ - _____.

PRODUCT INFORMATION

Fixture:	
Configuration	2-piece, elongated
Gallons per flush	1.6 gallons
Passageway	1-3/4"
Water depth from rim	6-1/2"
Seat post hole centers	5-1/2"
Included Components:	
Bowl	K-4255
Tank	K-4445
Tank cover	83037
Seat	83295
Bolt cap accessory pack	52048
Tank accessory pack	52153

Roughing-In Notes

* Indicates maximum lift of trip lever during actuation.



PRODUCT DIAGRAM