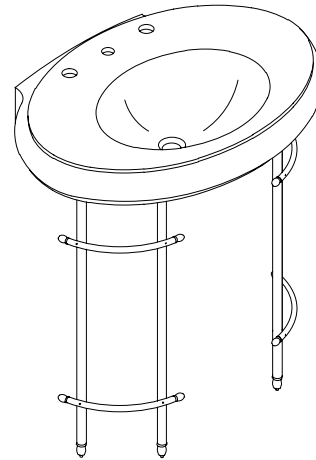


LAVATORY BASIN WITH CONSOLE TABLE LEGS

K-2001, K-6860

FEATURES

- 33-1/4" x 24-1/8" x 35-1/8"
- Fireclay (lavatory basin)
- Console table
- 10" centers (K-2001-10) or single-hole (K-2001-1) drilling
- Console table legs (K-6860)



CODES/STANDARDS APPLICABLE

Specified model meets or exceeds the following:

- ASME/ANSI A112.19.9M
- IAPMO/UPC
- State of Massachusetts

COLORS/FINISHES

- 0 White
 - Other Refer to Fixtures Price Book for additional colors
- Accessories:**
- CP Polished Chrome
 - PB Polished Brass
 - Other Refer to Price Book for additional finishes

SPECIFIED MODEL:

| Model | Description | Colors/Finishes | |
|-----------|----------------------|----------------------------------|-------------------------------------|
| K-2001-10 | 10" centers lavatory | <input type="checkbox"/> 0 White | <input type="checkbox"/> Other_____ |
| K-2001-1 | Single-hole lavatory | <input type="checkbox"/> 0 White | <input type="checkbox"/> Other_____ |
| K-6860 | Console table legs | <input type="checkbox"/> CP | <input type="checkbox"/> Other_____ |

| Recommended Accessories | | | |
|-------------------------|---|-------------------------------------|-------------------------------------|
| K-7605-P | Lavatory supplies 3/8" (pair) | <input type="checkbox"/> CP | <input type="checkbox"/> Other_____ |
| K-9018 | Trap | <input type="checkbox"/> CP | <input type="checkbox"/> Other_____ |
| Optional Accessories | | | |
| K-9624 | Attachment for customized decorative fabric skirt | <input type="checkbox"/> Other_____ | |
| K-7709 | Tailpiece shroud | <input type="checkbox"/> CP | <input type="checkbox"/> Other_____ |

PRODUCT SPECIFICATION:

The console table shall be 33-1/4" in length, 24-1/8" in width and 35-1/8" in height. Lavatory basin shall be made of fireclay. Lavatory basin shall have 10" centers (K-2001-10) or single-hole (K-2001-1) drilling. Console table shall have metal legs (K-6860). Lavatory basin shall be Kohler Model K-2001-_____-_____- and console table legs shall be Kohler Model K-6860-_____.

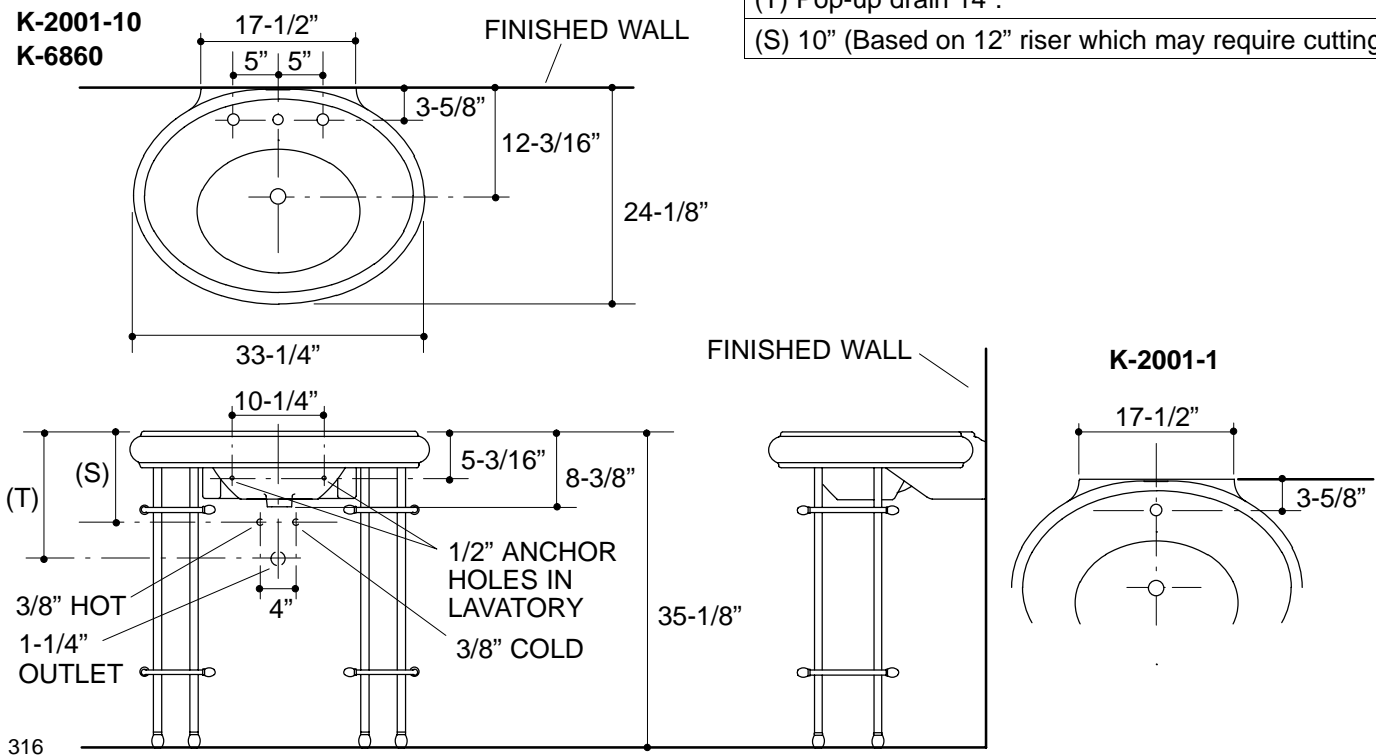
PRODUCT INFORMATION

| | | | |
|---|------------------|-----------------|-------------|
| Fixture*: | | basin area | water depth |
| Lavatory | | 18" x 14" | 6-1/2" |
| Outlet | 1-3/4" D. | | |
| * Approximate measurements for comparison only. | | | |
| Holes | K-2001-10 | K-2001-1 | |
| Spout | 1-3/16" D. | 1-3/8" D. | |
| Faucet | 1-7/16" D. | | |
| Included Components: | | | |
| Lavatory accessory pack | | 84017 | |

Roughing-In Notes

(T) Pop-up drain 14".

(S) 10" (Based on 12" riser which may require cutting).



PRODUCT DIAGRAM