

Ordering Information

Applicable product:		
254mm centers lavatory	K-2000-10	not shown
Single-hole lavatory	K-2000-1	not shown
Accessories/hardware:		
Drain	K-9018	recommended

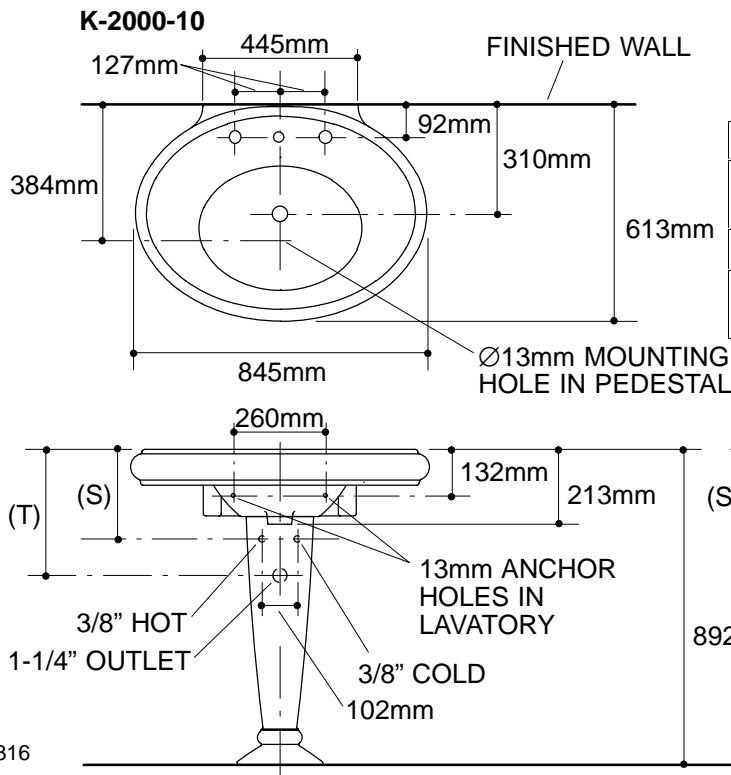
Product Information

Fixture*:		basin area	water depth
Lavatory		457 x 356mm	165mm
Outlet	Ø44mm		

* Approximate measurements for comparison only.

Holes	K-2000-10	K-2000-1	
Spout	Ø30mm	Ø35mm	
Faucet	Ø37mm		

Included Components:	
Lavatory basin, 254mm centers	K-2001-10
Lavatory basin, single hole	K-2001-1
Pedestal	K-2003
Rubber pads	63069
Lavatory accessory pack	84017



Roughing-In Notes
Fixture dimensions are nominal and conform to tolerances in ASME Standard A112.19.2M.
(T) Pop-up drain 356mm.
(S) 254mm (Based on 305mm riser which may require-cutting).

