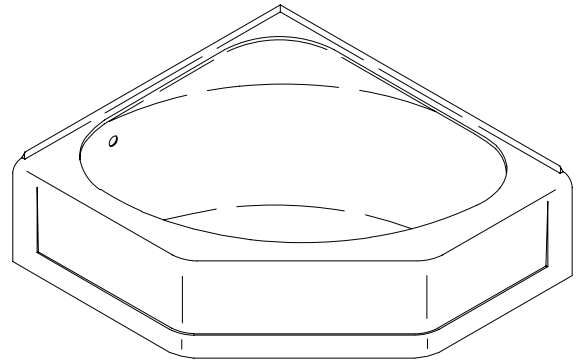


### FEATURES

- 48" x 44" x 14"
- Cast iron with Safeguard® finish
- Left outlet
- For corner installation
- Integral seat



### CODES/STANDARDS APPLICABLE

Specified model meets or exceeds the following:

- ASME/ANSI A112.19.1M
- IAPMO/UPC
- Canadian Standards Association (CSA)
- State of Massachusetts

### COLORS/FINISHES

- 0 White
- Other Refer to Fixtures Price Book for additional colors

#### Accessories:

- CP Polished Chrome
- PB Polished Brass
- Other Refer to Faucets Price Book for additional finishes

### SPECIFIED MODEL:

Model	Description	Colors/Finishes		
K-821	Corner bath	<input type="checkbox"/> 0 White	<input type="checkbox"/> Other_____	
<b>Recommended Accessories</b>				
K-7166-AF	Drain	<input type="checkbox"/> CP	<input type="checkbox"/> PB	<input type="checkbox"/> Other_____
<b>Optional Accessories</b>				
K-9702	Curtain rod	<input type="checkbox"/> CP		

### PRODUCT SPECIFICATION:

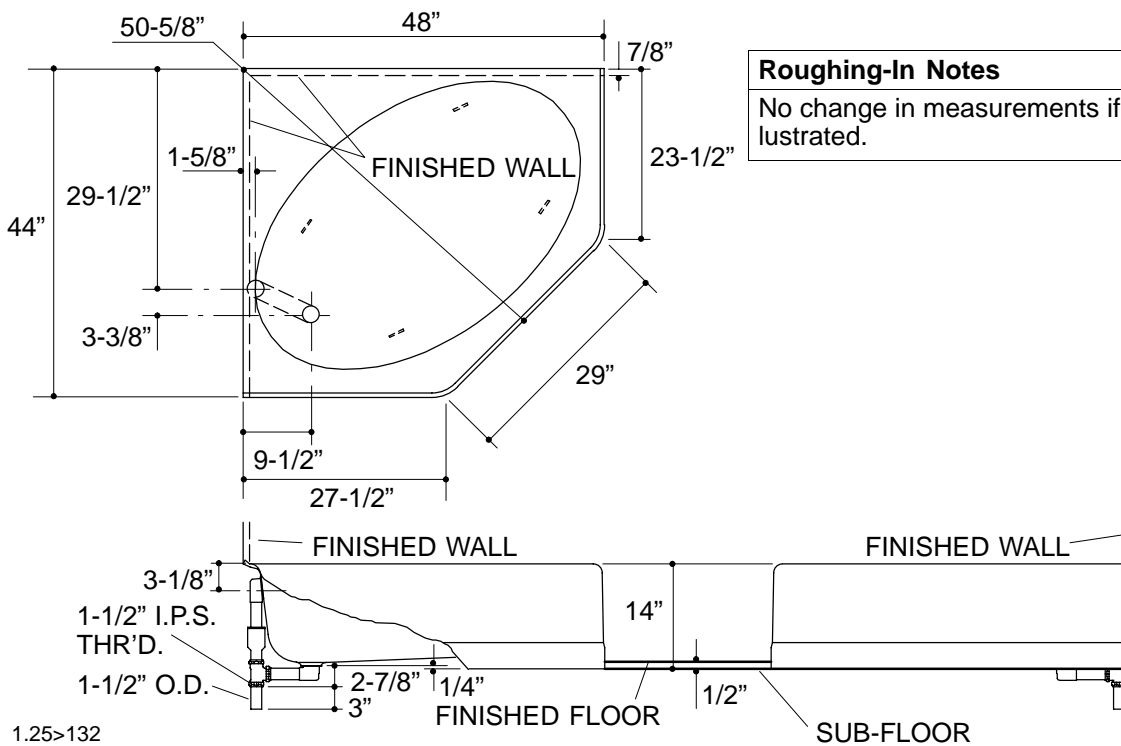
The bath shall be 48" in length, 44" in width, and 14" in height. Bath shall be made of cast iron with Safeguard® finish. Bath shall have outlet at left. Bath shall be for corner installation. Bath shall have an integral seat. Bath shall be Kohler Model K-821-\_\_\_\_\_.

# MAYFLOWER™

## PRODUCT INFORMATION

Fixture*:	basin area	top area	weight
Bathing well	43" x 25"	48" x 30"	332 lbs.
	water depth	capacity	
To overflow	8-5/8"	33 gal.	

\* Approximate measurements for comparison only.



1.25>132

## PRODUCT DIAGRAM