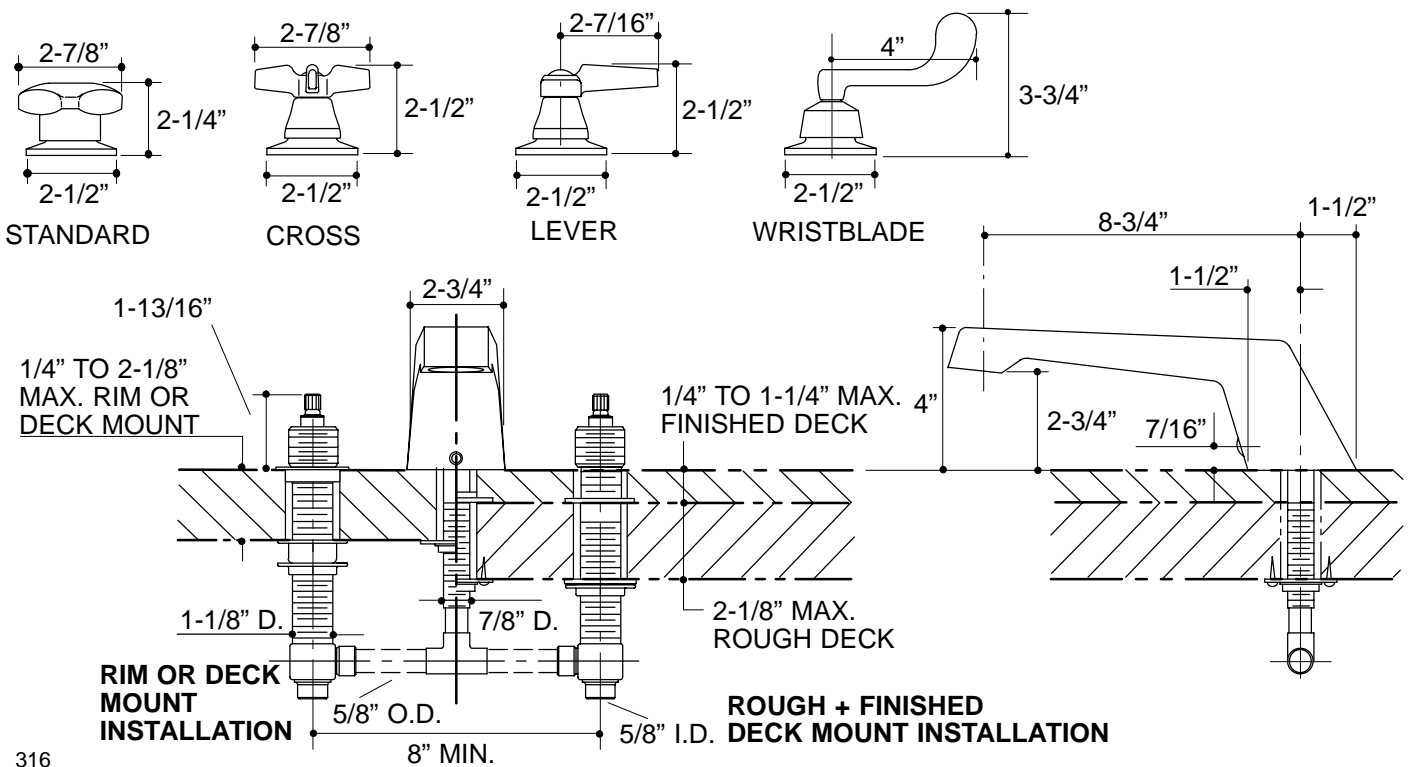


Ordering Information

Applicable faucet:		
Standard handles*	K-T7026-2	
Cross handles*	K-T7026-3	
Lever handles*	K-T7026-4	
Wristblade handles*	K-T7026-5	
*Valve K-300-K must be ordered to complete faucet.		
Applicable valve system only:		
1/2" valve system	K-300-K-NA	required**
**Required for configuration illustrated.		
ADA Lever and wristblade handles are ADA compliant		



316

K-T7026, K-300-K Triton™ Bath Faucet
114141-1-AA (9619)

KOHLER®

NOTES: