

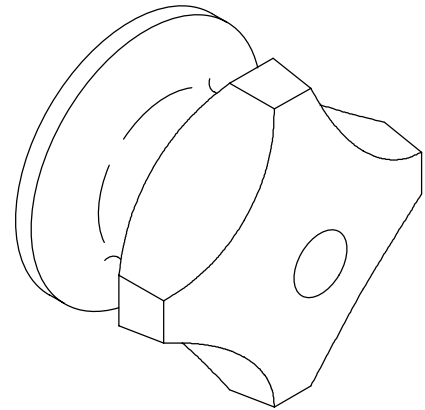
**FEATURES**

- Brass construction
- Brass valve body
- Quarter-turn washerless ceramic disc valve
- Standard handle

**CODES/STANDARDS APPLICABLE**

Specified model meets or exceeds the following:

- ASME/ANSI A112.18.1M
- CSA B125
- IAPMO/UPC



**COLORS/FINISHES**

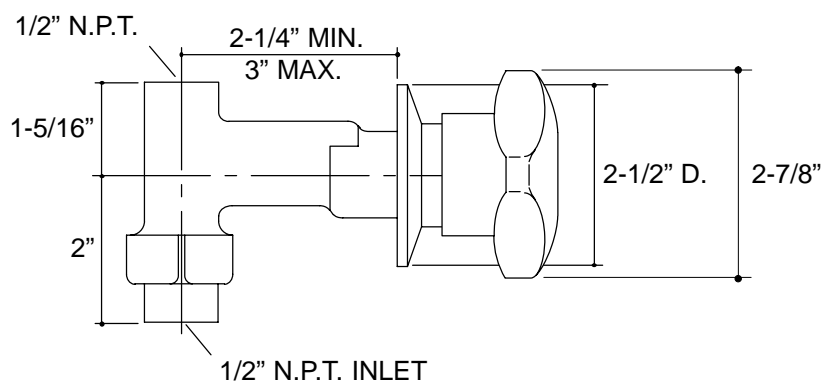
- CP Polished Chrome

**SPECIFIED MODEL:**

Model	Description	
K-7046-2X	Triton Straight Valve	<input type="checkbox"/> CP

**PRODUCT SPECIFICATION:**

Built-in straight valve shall be of brass construction. Faucet shall feature a brass valve body. Faucet shall also feature a quarter-turn washerless ceramic disc valve, assuring positive handle stop positioning. Product shall be less spout. Product shall include a single standard handle. Faucet shall be Kohler Model K-7046-2X-CP.



PRODUCT DIAGRAM