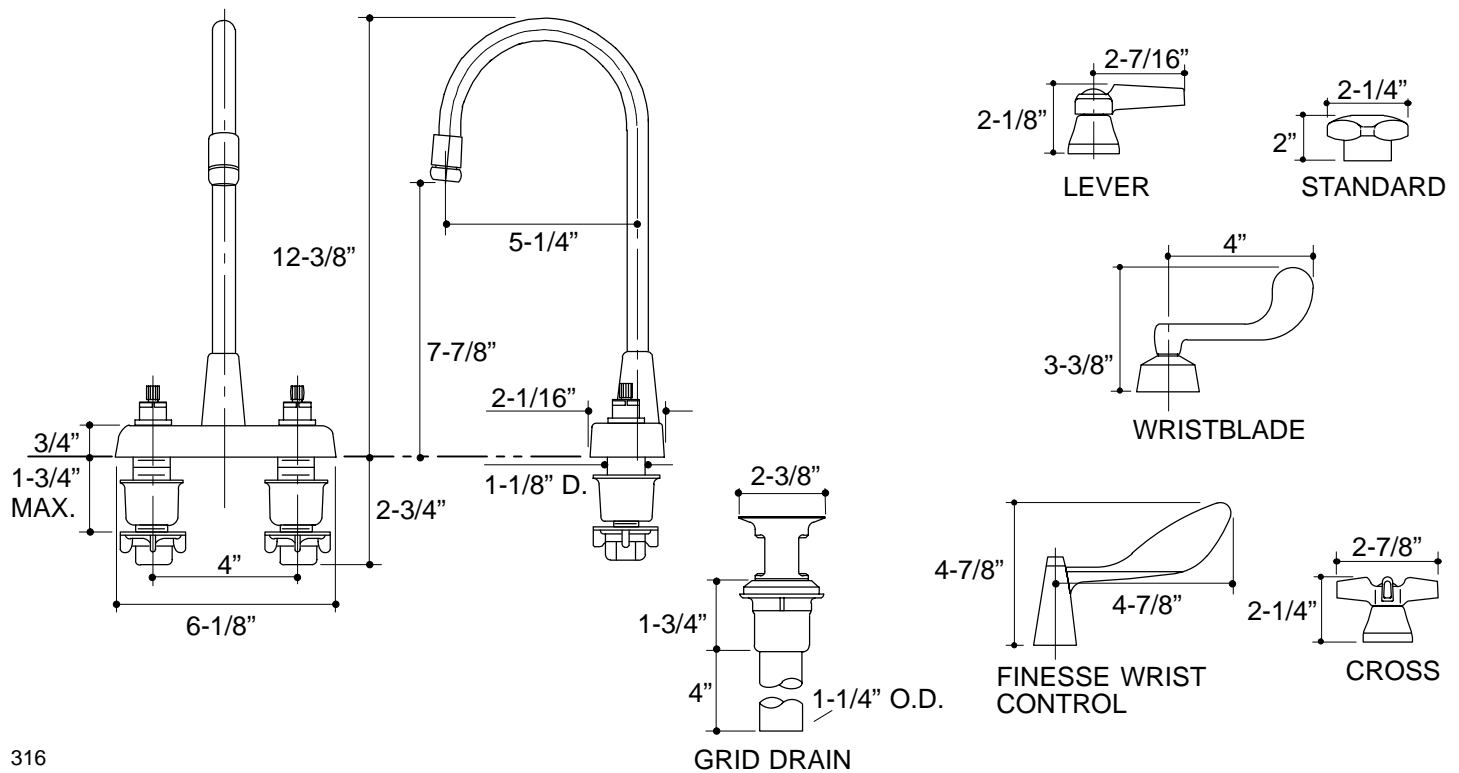


Ordering Information

Applicable faucet:	
Complete faucet with wristblade lever handles	K-7305-5A
Base faucet with water-guard aerator, less drain and lift rod*	K-7305-K
Base faucet with vandal-resistant aerator, less drain and lift rod*	K-7305-KE
Handles:	
Triton standard handles	K-16010-2
Triton cross handles	K-16010-3
Triton lever handles	K-16010-4
Triton wristblade lever handles	K-16010-5
Finesse wrist control lever handles	K-16050-5
*Handles must be ordered to complete faucet.	
ADA Lever and cross handles are ADA compliant	

Accessories/hardware:		
Grid drain	K-7715	recommended



316

K-7305-5A, K-7305-K Triton/Finesse Lavatory Faucet
114146-1-BA (-)

KOHLER®

NOTES: