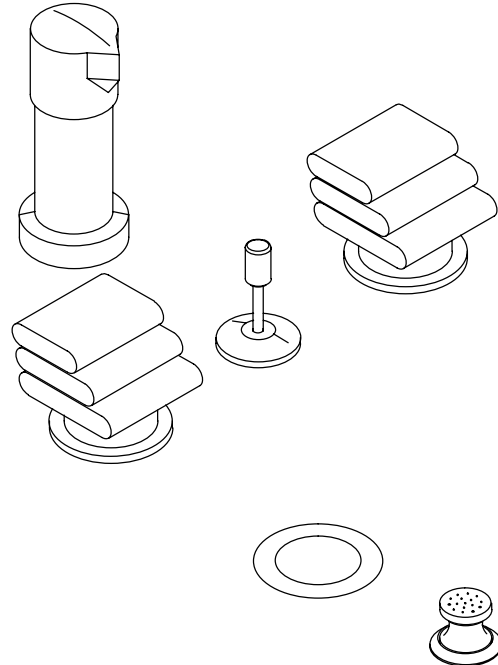


**FEATURES**

- Brass construction
- Flexible connections
- Brass valve bodies
- Quarter-turn washerless ceramic disc valves
- Pop-up drain with lift rod and tailpiece
- Pillows handles
- Vertical spray
- Fixture-mount transfer valve/vacuum breaker



**CODES/STANDARDS APPLICABLE**

Specified model meets or exceeds the following:

- ASME/ANSI A112.18.1M
- CSA B125
- IAPMO/UPC
- Listed in the State of Michigan

**COLORS/FINISHES**

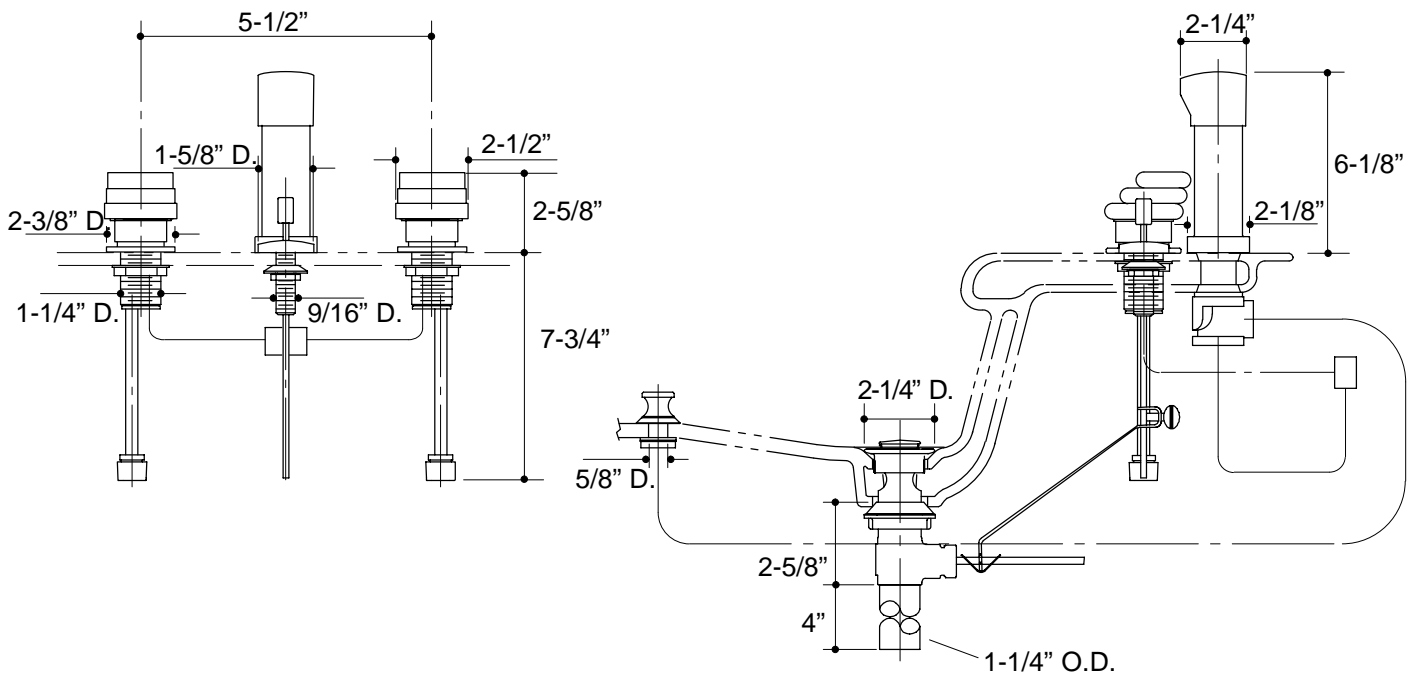
- PB Polished Brass
- SC Satin Chrome

**SPECIFIED MODEL:**

Model	Description	<input type="checkbox"/> PB	<input type="checkbox"/> SC
K-7931-2	Pillows Bidet Faucet	<input type="checkbox"/>	<input type="checkbox"/>

**PRODUCT SPECIFICATION:**

Two-handle fixture-mount bidet faucet shall be of brass construction. Faucet shall feature brass valve bodies. Faucet shall feature quarter-turn washerless ceramic disc valves, assuring positive handle stop positioning. Product shall include flexible connections, pop-up drain with lift rod and tailpiece, Pillows handles, vertical spray, and fixture-mount valve/vacuum breaker. Faucet shall be Kohler Model K-7931-2-\_\_\_\_\_.



1.25>18

**PRODUCT DIAGRAM**