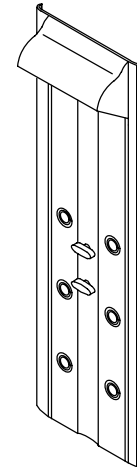


### FEATURES

- 16-1/8" x 11-5/8" x 62-3/4"
- Aluminum tower
- Four pairs of BodySpa jets
- Manual controls for massage selection
- Recirculating pump delivers flows up to 80 gallons per minute of powerful hydro-massage (pump included with footbath)
- Order one Tower, Footbath, and Enclosure for each complete BodySpa installation



### CODES/STANDARDS APPLICABLE

Specified model meets or exceeds the following:

- IAPMO/UPC
- Underwriters Laboratories (UL)

### COLORS/FINISHES

- CP Polished Chrome
- CW White with Polished Chrome
- PB Polished Brass
- PW White with Polished Brass

#### Accessories:

- 0 White
- Other Refer to Fixtures Price Book for additional colors
- SS Satin Silver
- SB Satin Brass

### SPECIFIED MODEL:

Model	Description	Colors/Finishes			
K-1030	8-Jet Tower	<input type="checkbox"/> CP	<input type="checkbox"/> CW	<input type="checkbox"/> PB	<input type="checkbox"/> PW
<b>Required Accessories</b>					
K-1035	Alcove footbath, LH <b>OR</b>	<input type="checkbox"/> 0 White		<input type="checkbox"/> Other_____	
K-1036	Alcove footbath, RH <b>OR</b>	<input type="checkbox"/> 0 White		<input type="checkbox"/> Other_____	
K-1025	Corner footbath	<input type="checkbox"/> 0 White		<input type="checkbox"/> Other_____	
K-5161-L	BodySpa Alcove enclosure (shower doors) <b>OR</b>	<input type="checkbox"/> SS	<input type="checkbox"/> SB		
K-5162-L	BodySpa Corner enclosure (shower doors)	<input type="checkbox"/> SS	<input type="checkbox"/> SB		

### PRODUCT SPECIFICATION:

The 8-Jet tower shall be 16-1/8" in length, 11-5/8" in width, and 62-3/4" in height. Tower shall be made of aluminum. Tower shall have four pairs of Bodyspa jets. Tower shall have manual controls for massage selection. Footbath recirculating pump shall deliver flows up to 80 gallons per minute of powerful hydro-massage. Footbath shall be configured with BodySpa Footbath, and BodySpa Enclosure. Tower shall be Kohler Model K-1030-\_\_\_\_\_.

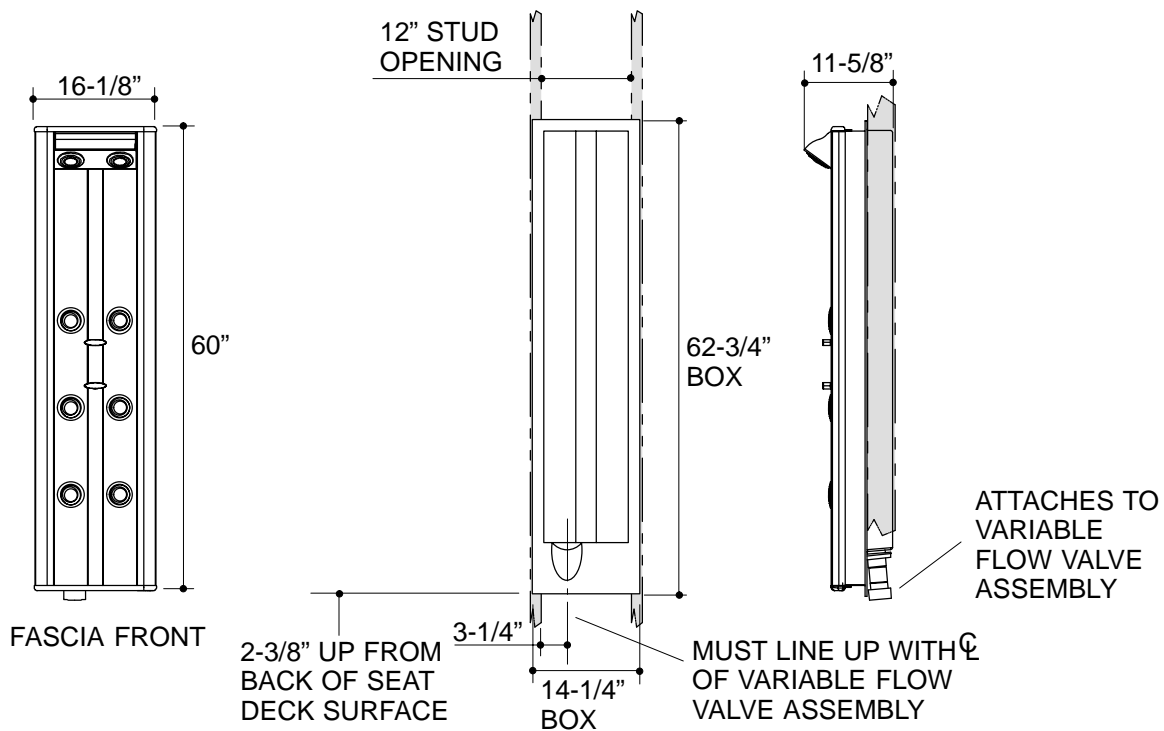
# BODYSPA

## PRODUCT INFORMATION

Fixture:	
Weight	38 lbs.

## INSTALLATION NOTES

The BodySpa is not designed for steam applications, and may not perform satisfactorily as a steam unit.



1.25>132

## PRODUCT DIAGRAM