

Ordering Information

Applicable product:		
Pump on left	K-1479	shown
Pump on right	K-1481	not shown
Accessories/hardware:		
Tower	K-1040	required
Door enclosure	K-9759	required
Drain	K-7161-AF	recommended
Coralais Rite-Temp	K-1097	recommended
Coralais Two-handle	K-1096	

Required Electrical Service

Dedicated circuit required, protected with Class A Ground-Fault Circuit-Interrupter (GFCI):	
Pump/control	120 V., 20 A, 60 Hz

Product Information

Fixture*:	basin area	top area	weight
Bathing well	1041 x 737mm	1422 x 914mm	59 Kg.
	water depth	capacity	
To overflow	381mm	322 litres**	

*Approximate measurements for comparison only.

**182 litre minimum required for BodySpa operation.

Pump:	HP	V	Hz	A
1-speed	1	120	60	16.5

Installation Notes

Refer to installation instructions included with fixture before beginning installation.

If installing a rim-mount faucet, be sure there is adequate clearance under the rim prior to drilling holes, plus, consult local and national codes for minimum air gap requirements. Allow 2159mm to 2172mm from sub-floor to finished ceiling or header for proper enclosure installation.

Top of unit must be enclosed to retain heat and contain water spray.

Pump is supplied with a grounding type plug-in cord. Locate the outlet behind the bath, and within 610mm of the pump.

Roughing-In Notes

Fixture conforms to ANSI Standard Z124.1. All dimensions are nominal.

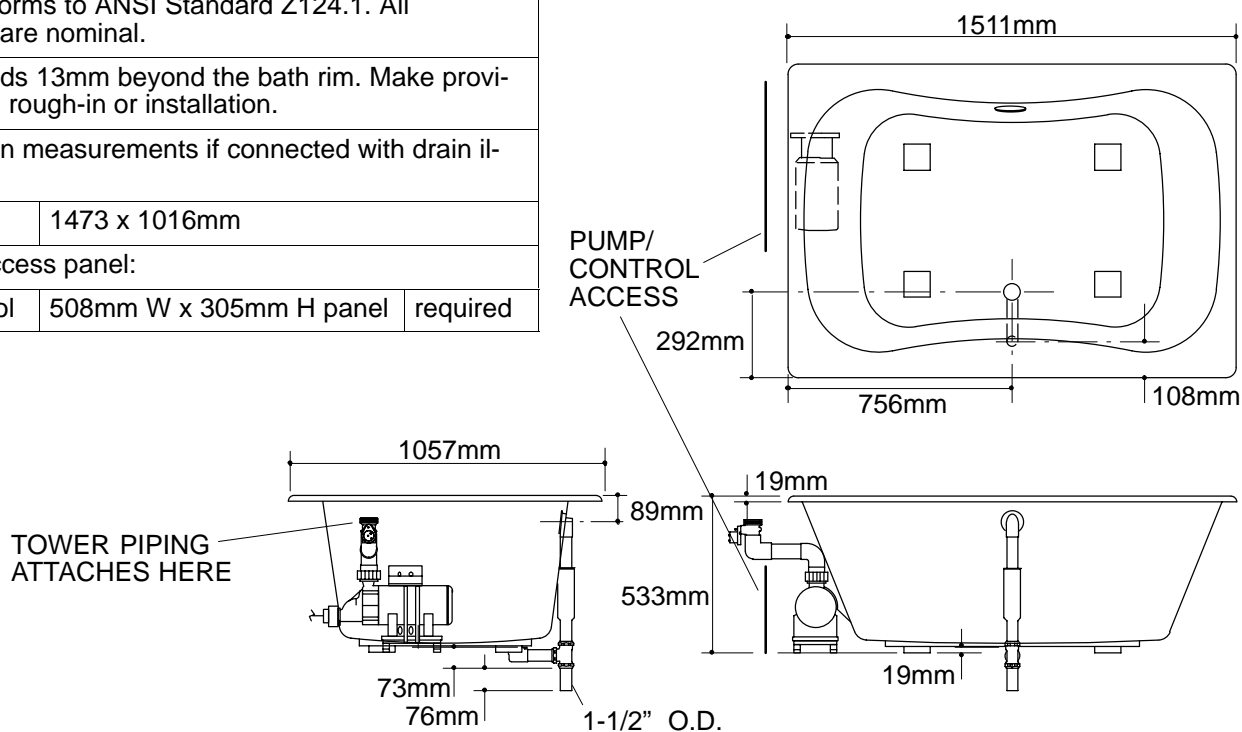
Pump extends 13mm beyond the bath rim. Make provisions during rough-in or installation.

No change in measurements if connected with drain illustrated.

Cut-out 1473 x 1016mm

Minimum access panel:

Pump/control 508mm W x 305mm H panel required



1.25>132