

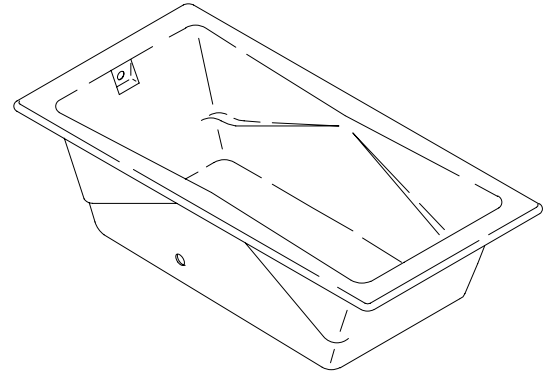
FEATURES

- 72" x 36" x 21"
- Cast iron
- 1 hp variable flow pump, integral heater and suction housing
- Recirculating pump delivers flows up to 60 gallons per minute of powerful hydro-massage
- Order one Tower, Bath/Footbath, and Enclosure for each complete BodySpa installation

CODES/STANDARDS APPLICABLE

Specified model meets or exceeds the following:

- ASME/ANSI A112.19.1M
- ASME/ANSI A112.19.7M
- IAPMO/UPC
- Underwriters Laboratories (UL)



COLORS/FINISHES

- 0 White
- Other Refer to Fixtures Price Book for additional colors

Accessories:

- CP Polished Chrome
- PB Polished Brass
- SH Bright Silver
- BH Bright Brass
- Other Refer to Faucets Price Book for additional finishes

SPECIFIED MODEL:

Model	Description	Colors/Finishes	
K-861	6' bath	<input type="checkbox"/> 0 White	<input type="checkbox"/> Other_____

Required Accessories			
K-1040-CP	BodySpa 6-Jet Tower (Polished Chrome trim) OR	<input type="checkbox"/> 0 White	<input type="checkbox"/> Other_____
K-1040-PB	BodySpa 6-Jet Tower (Polished Brass trim)	<input type="checkbox"/> 0 White	<input type="checkbox"/> Other_____
K-9735-L	Bypass door	<input type="checkbox"/> SH	<input type="checkbox"/> BH
K-7169-AF	Drain	<input type="checkbox"/> CP	<input type="checkbox"/> PB
Recommended Accessories			
K-1097	Coralais Rite-Temp OR	<input type="checkbox"/> CP	<input type="checkbox"/> PB
K-1096	Coralais Two-handle	<input type="checkbox"/> CP	<input type="checkbox"/> PB

PRODUCT SPECIFICATION:

The bath shall be 72" in length, 36" in width, and 21" in height. Bath shall be made of enameled cast iron. Bath shall have 1 hp variable flow pump, integral heater, and suction housing. Bath recirculating pump shall deliver flows up to 60 gallons per minute of powerful hydro-massage. Bath shall be configured with BodySpa 6-Jet Tower, and BodySpa Bypass Door. Bath shall be Kohler Model K-861-_____.

BODYSIPA TEA-FOR-TWO™

REQUIRED ELECTRICAL SERVICE

Dedicated circuit required, protected with Class A Ground-Fault Circuit-Interrupter (GFCI):

Pump/control	120 V., 20 A, 60 Hz
--------------	---------------------

PRODUCT INFORMATION

Fixture*:	basin area	top area	weight
Bathing well	49" x 22"	62" x 28"	445 lbs.
	water depth	capacity	
To overflow	17"	89 gals.**	

* Approximate measurements for comparison only.

** 50 gallon minimum required for BodySpa operation.

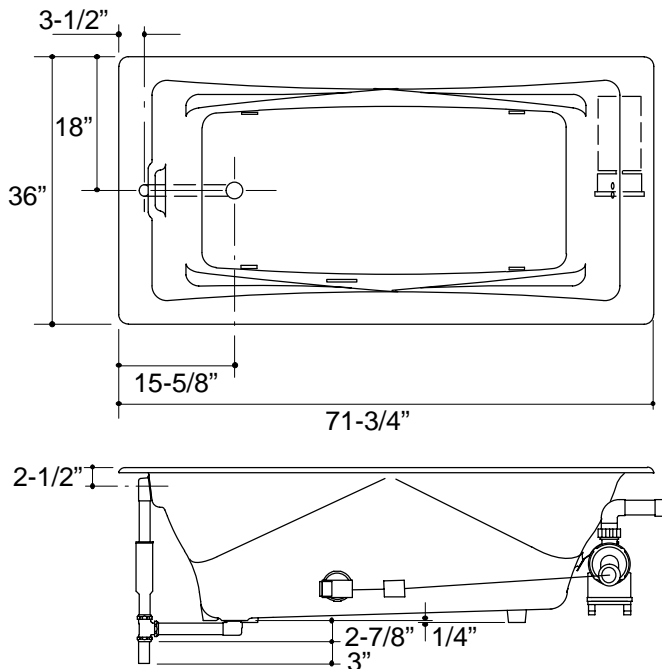
Pump:	HP	V	Hz	A
1-speed	1	120	60	16.5

INSTALLATION NOTES

Allow 84-7/8" to 85-3/8" from sub-floor to finished ceiling or header for proper enclosure installation.

Top of unit must be enclosed to retain heat and contain water spray.

Pump is supplied with a grounding type plug-in cord. Locate the outlet behind the whirlpool, and within 24" of the pump.



1.25>132

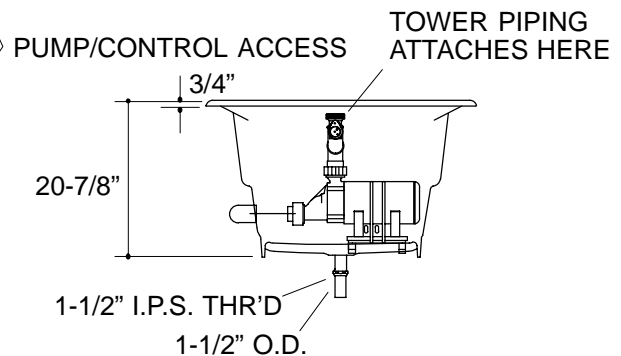
Roughing-In Notes

No change in measurements if connected with drain illustrated.

Cut-out	70-1/4" x 34-1/2"
---------	-------------------

Minimum access:

Pump/control	20" W x 12" H	required
--------------	---------------	----------



PRODUCT DIAGRAM