

## Ordering Information

Accessories/hardware:		
Jet trim kit	K-9696	required
Drain	K-7161-AF	recommended
Vinyl tiling-in bead	K-1179	optional
*Use K-1179 vinyl bead when wall material contacts any top surface of bath		

## Required Electrical Service

Dedicated circuit required, protected with Class A Ground-Fault Circuit-Interrupter (GFCI):	
Pump/control, heater	120 V., 20 A, 60 Hz

## Product Information

Fixture*:	basin area	top area	weight
Bathing well	1219 x 762mm	1575 x 914mm	61 Kg.
	water depth	capacity	
To overflow	381mm	363 litres	

\* Approximate measurements for comparison only.

Pump	high HP	low HP	V	Hz	A
2-speed	1	1/8	120	60	16.5

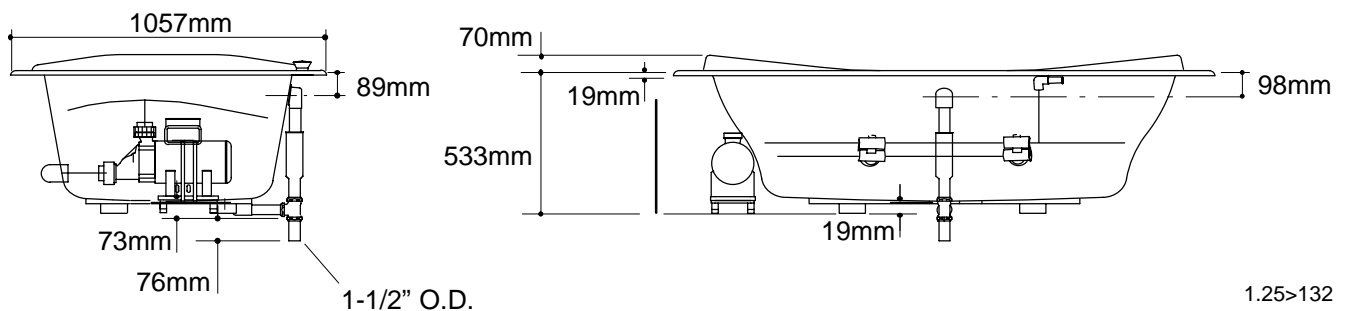
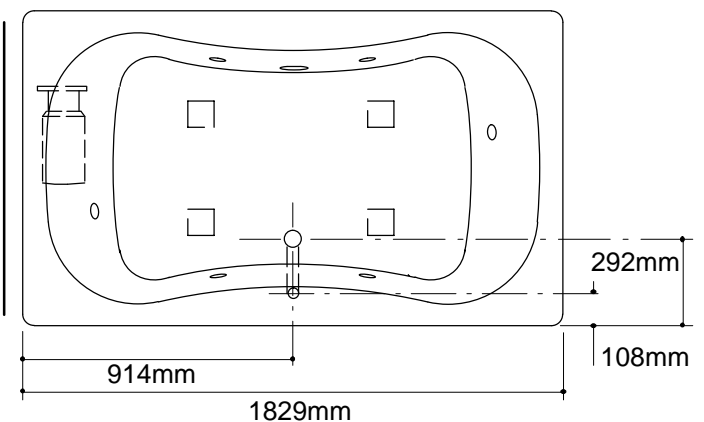
## Installation Notes

Refer to installation instructions included with fixture before beginning installation.

Pump is supplied with a grounding type plug-in cord. Locate the outlet behind the whirlpool, and within 610mm of the pump.

<b>Roughing-In Notes</b>		
Fixture dimensions are nominal and conform to tolerances in ANSI Standard Z124.1.		
No change in measurements if connected with drain illustrated.		
Cut-out	1791 x 1016mm	
Minimum access panel:		
Pump/control	508mm W x 381mm H panel	required

PUMP/CONTROL ACCESS



1.25>132