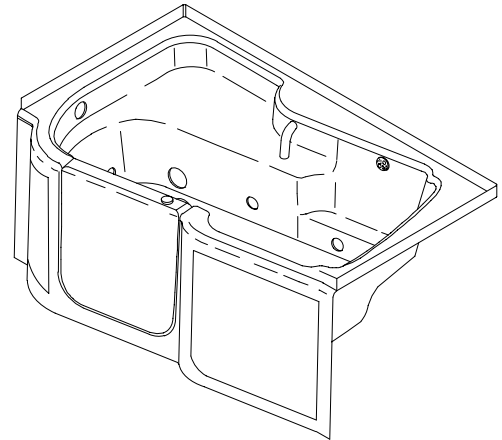


# K-1355-H1, K-1356-H1

## FEATURES

- 60" x 37-3/4" x 24"
- Fiberglass (FRP)
- Left or right outlet
- Removable apron for front access
- System III - 2 hp variable flow pump with integral heater, and electronic switch
- 5 Flexjets
- UL Listed
- IAPMO approved
- LESS ALL TRIM
- Hinged entry door with Hydroloc™ seal
- Folding RediSeat™
- Fits into standard 60" x 32" bath opening
- Pump is supplied with a grounding-type plug in cord



## CODES/STANDARDS APPLICABLE

Specified model meets or exceeds the following:

- ASME/ANSI A112.19.7M
- ANSI Z124.1
- IAPMO/UPC
- Underwriters Laboratories (UL)
- State of Massachusetts
- Dade County, Florida

## COLORS/FINISHES

- 0 White
- Other Refer to Fixtures Price Book for additional colors

### Accessories:

- CP Polished Chrome
- PB Polished Brass
- Other Refer to Faucets Price Book for additional finishes

## SPECIFIED MODEL:

Model	Description	Colors/Finishes	
K-1355-H1	Bath whirlpool with outlet at left	<input type="checkbox"/> 0 White	<input type="checkbox"/> Other_____
K-1356-H1	Bath whirlpool with outlet at right	<input type="checkbox"/> 0 White	<input type="checkbox"/> Other_____

Required Accessories				
K-9695	Jet trim kit	<input type="checkbox"/> CP	<input type="checkbox"/> PB	<input type="checkbox"/> Other_____
Recommended Accessories				
K-7167	Drain	<input type="checkbox"/> CP	<input type="checkbox"/> PB	<input type="checkbox"/> Other_____

## PRODUCT SPECIFICATION:

The bath whirlpool shall be 60" in length, 37-3/4" in width, and 24" in height. Bath whirlpool shall be made of fiberglass (FRP). Bath whirlpool shall have an outlet left or right. Bath whirlpool shall have removable apron for front access. Bath whirlpool shall have System III, with 5 Flexjets, 2 hp variable flow pump with integral heater, and electronic switch. Bath whirlpool shall be UL listed. Bath whirlpool shall be IAPMO approved. Bath whirlpool shall less all trim. Bath whirlpool shall have hinged entry door with Hydroloc™ seal and folding RediSeat™. Bath whirlpool shall fit into standard 60" x 32" bath opening. Bath whirlpool pump shall be supplied with a grounding-type plug-in cord. Bath whirlpool shall be Kohler Model K-\_\_\_\_\_ - \_\_\_\_\_ - \_\_\_\_\_.

# PRECEDENCE™

## REQUIRED ELECTRICAL SERVICE

Dedicated circuits required, protected with Class A Ground-Fault Circuit-Interrupter (GFCI):

Pump/compressor	120 V., 20 A, 60 Hz
-----------------	---------------------

## PRODUCT INFORMATION

Fixture*:	basin area	top area	weight
Bathing well	43" x 19-1/2"	52" x 24-1/2"	188 lbs.
	water depth	capacity	
To overflow	19-1/4"	80 gals.	

\* Approximate measurements for comparison only.

Pump:	HP	V	Hz	A
1-speed	2	120	60	18.5

Included Components:

Apron	factory installed
-------	-------------------

## INSTALLATION NOTES

Finished floor thickness 1/2" max. above bottom of support base pan. For thicker flooring, provide additional subflooring under bath.

Each pump is supplied with a grounding type plug-in cord. Locate the outlet behind the whirlpool, and within 24" of the pump.

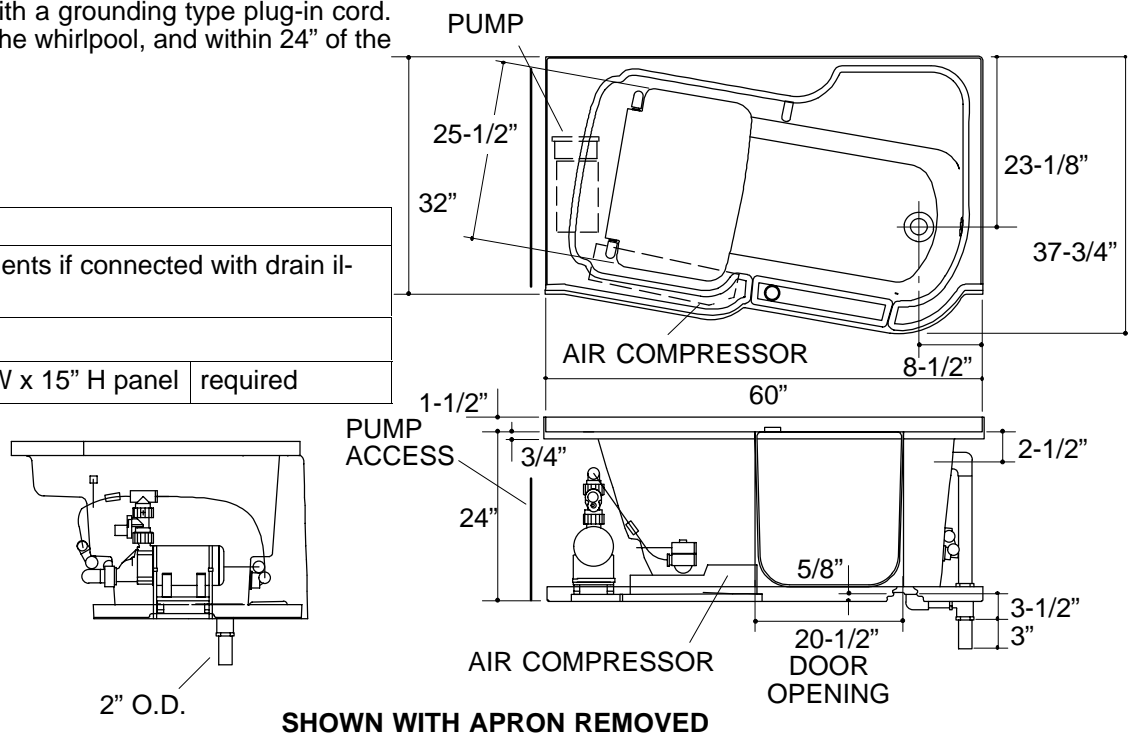
### Roughing-In Notes

No change in measurements if connected with drain illustrated.

Minimum access:

Pump/control	30" W x 15" H panel	required
--------------	---------------------	----------

1.25>132



## PRODUCT DIAGRAM