

Ordering Information

Applicable product:		
Left outlet	K-1355-H1	not shown
Right outlet	K-1356-H1	shown
Accessories/hardware:		
Jet trim kit	K-9695	required
Drain	K-7167	recommended
Wall-mount grab bars, anti-scald faucet, and high-flow bath filler recommended for maximum accessibility.		

Required Electrical Service

Dedicated circuits required, protected with Class A Ground-Fault Circuit-Interrupter (GFCI):	
Pump/compressor	120 V., 20 A, 60 Hz

Product Information

Fixture*:	basin area	top area	weight
Bathing well	1092 x 508mm	1321 x 635mm	85 Kg.
	water depth	capacity	
To overflow	489mm	303 litres	

* Approximate measurements for comparison only.

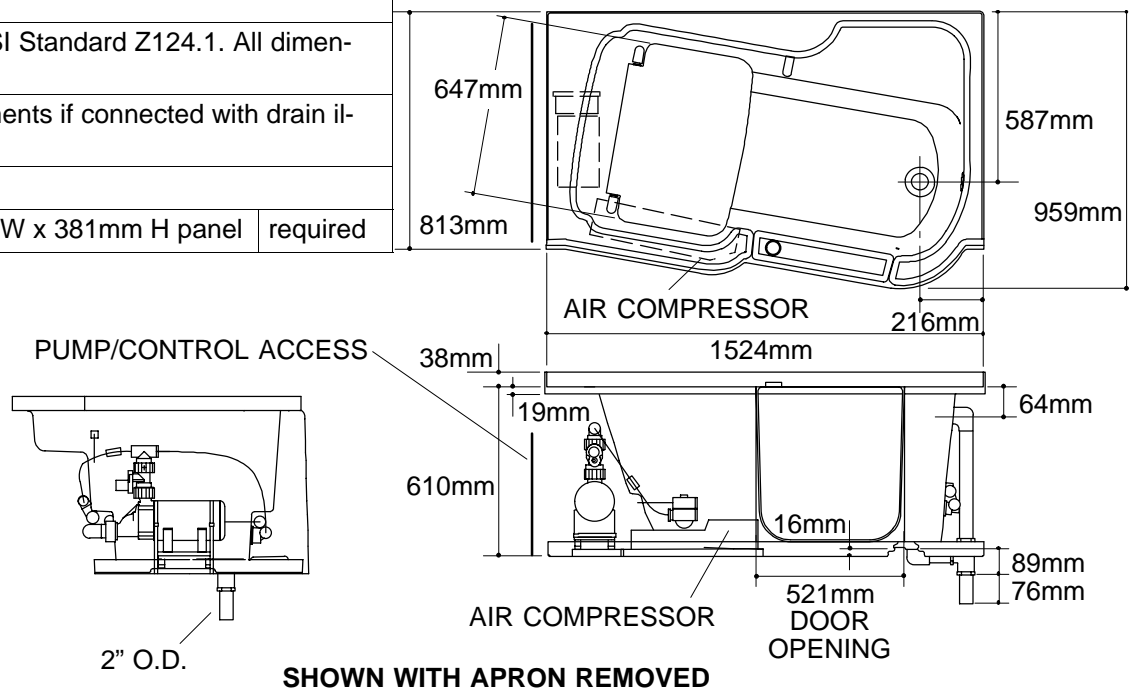
Pump:	HP	V	Hz	A
1-speed	2	120	60	18.5

Included Components:	
Apron	factory installed

Installation Notes

Refer to installation instructions included with fixture before beginning installation.
 Finished floor thickness 13mm max. above bottom of support base pan. For thicker flooring, provide additional sub-flooring under bath.
 Pump is supplied with a grounding type plug-in cord. Locate the outlet behind the whirlpool, and within 610mm of the pump.

Roughing-In Notes		
Fixture conforms to ANSI Standard Z124.1. All dimensions are nominal.		
No change in measurements if connected with drain illustrated.		
Minimum access panel:		
Pump/control	762mm W x 381mm H panel	required



1.25>132

K-1355-H1, K-1356-H1 Precedence™ Bath Whirlpool
114189-1M-AA (A)

KOHLER®