

Ordering Information

Accessories/hardware:		
Corner receptor	K-1005	required
Corner receptor	K-1025	

Product Information

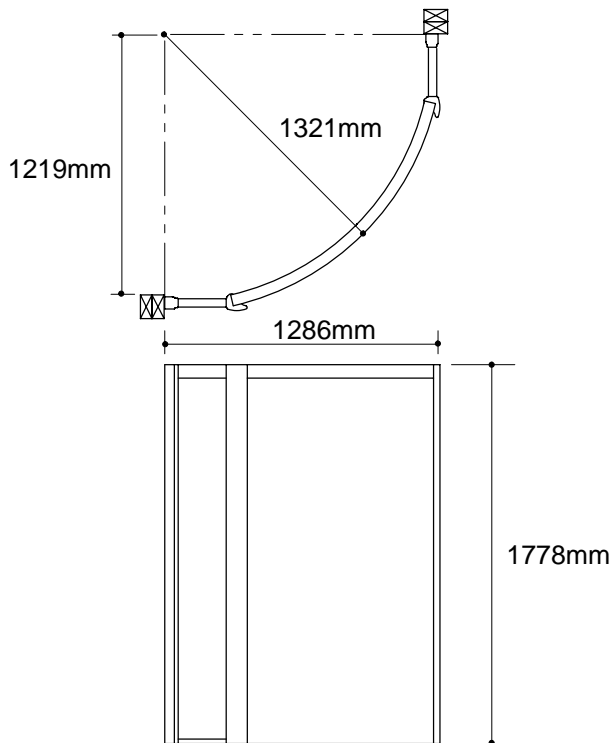
Fixture:	
Weight	91 Kg.
Glass, tempered safety	clear

Installation Notes

Refer to installation instructions included with fixture before beginning installation.

Allow 2121mm to 2134mm from sub-floor to finished ceiling or header for proper enclosure installation.

Top of unit must be enclosed to retain heat and contain water spray.



Roughing-In Notes

Glass conforms to ANSI Z97.1.

Leave studs exposed. Shower enclosure wall jambs must be installed directly to studs.

.9<132