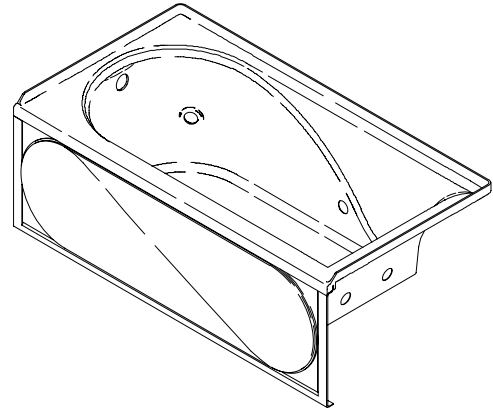


BATH WHIRLPOOL

K-1301-H, K-1302-H

FEATURES

- 60" x 32" x 20-1/2"
- Acrylic
- System II - 1 hp 2 speed pump with integral heater & electronic switch
- 5 Flexjets
- UL Listed
- LESS ALL TRIM
- Factory-installed removable apron and integral tile flange
- Pump is supplied with a grounding-type plug in cord



CODES/STANDARDS APPLICABLE

Specified model meets or exceeds the following:

- ANSI Z124.1
- ASME/ANSI A112.19.7M
- IAPMO/UPC
- Underwriters Laboratories (UL)
- State of Massachusetts

COLORS/FINISHES

- 0 White
- Other Refer to Fixtures Price Book for additional colors

Accessories:

- CP Polished Chrome
- PB Polished Brass
- Other Refer to Faucets Price Book for additional finishes

SPECIFIED MODEL:

Model	Description	Colors/Finishes	
K-1301-H	Bath whirlpool with outlet at left	<input type="checkbox"/> 0 White	<input type="checkbox"/> Other_____
K-1302-H	Bath whirlpool with outlet at right	<input type="checkbox"/> 0 White	<input type="checkbox"/> Other_____

Required Accessories			
K-9695	Jet trim kit	<input type="checkbox"/> CP	<input type="checkbox"/> PB <input type="checkbox"/> Other_____
Recommended Accessories			
K-7161-AF	Drain	<input type="checkbox"/> CP	<input type="checkbox"/> PB <input type="checkbox"/> Other_____

PRODUCT SPECIFICATION:

The bath whirlpool shall be 60" in length, 32" in width, and 20-1/2" in height. Bath whirlpool shall be made of acrylic. Bath whirlpool shall have System II, with 5 Flexjets, 1 hp 2-speed pump with integral heater, and electronic switch. Bath whirlpool shall be UL listed. Bath whirlpool shall be less all trim. Bath whirlpool shall have factory-installed removable apron and integral tile flange. Bath whirlpool pump shall be supplied with a grounding-type plug-in cord. Bath whirlpool shall be Kohler Model K-_____ - _____ - _____.

REQUIRED ELECTRICAL SERVICE

Dedicated circuit required, protected with Class A Ground-Fault Circuit-Interrupter (GFCI):	
Pump/control	120 V., 20 A, 60 Hz

INSTALLATION NOTES

Each pump is supplied with a grounding type plug-in cord. Locate the outlet behind the whirlpool, and within 24" of the pump.

PRODUCT INFORMATION

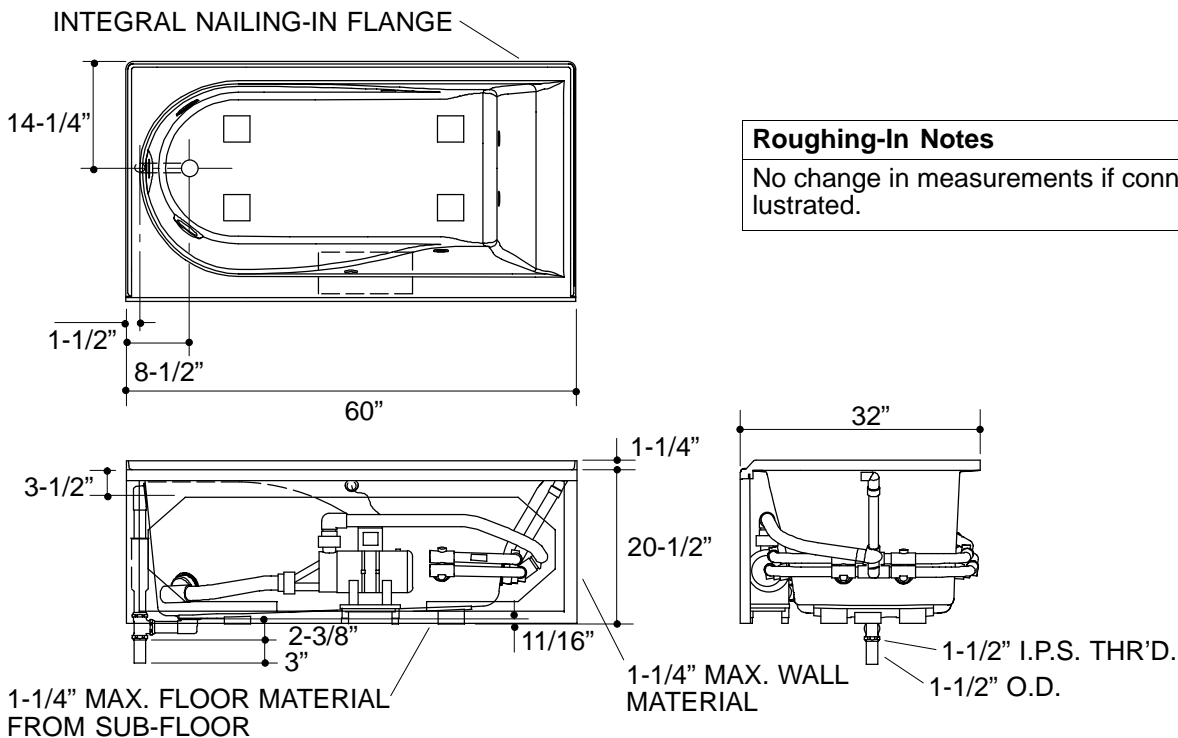
Fixture*:	basin area	top area	weight
Bathing well	46" x 21"	53" x 26"	126 lbs.
	water depth	capacity	
To overflow	14-1/2"	59 gal.	

* Approximate measurements for comparison only.

Pump	high HP	low HP	V	Hz	A
2-speed	1	1/8	120	60	16.5

Included Components:

Removable apron	factory installed
-----------------	-------------------



SHOWN WITH APRON REMOVED

1.25>132

PRODUCT DIAGRAM