

Ordering Information

Applicable product:		
With neck jets	K-772-N	shown
Without neck jets	K-772-H1	not shown
Accessories/hardware:		
Jet trim kit	K-9696	required
Drain	K-7161-AF	recommended
Undermount installation kit	K-583	optional
Vinyl tiling-in bead*	K-1179	optional
*Use K-1179 vinyl bead when wall material contacts any top surface of bath.		

Required Electrical Service

Dedicated circuit required, protected with Class A Ground-Fault Circuit-Interrupter (GFCI):	
Pump/control	120 V., 20 A, 60 Hz

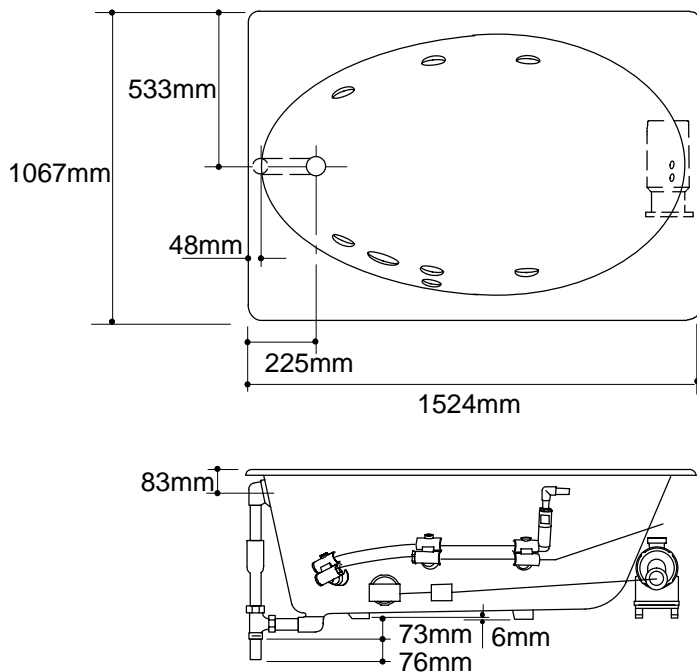
Product Information

ADA compliant.				
Fixture*:	basin area	top area	weight	
Bathing well	1067 x 660mm	1372 x 813mm	204 Kg.	
	water depth	capacity		
To overflow	381mm	265 litres		
* Approximate measurements for comparison only.				
Pump:	HP	V	Hz	A
1-speed	2	120	60	18.5

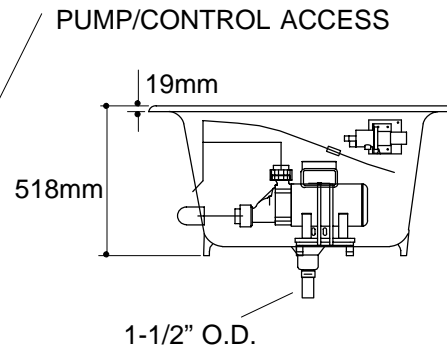
Installation Notes

Refer to installation instructions included with fixture before beginning installation.

Pump is supplied with a grounding type plug-in cord. Locate the outlet behind the whirlpool, and within 610mm of the pump.



Roughing-In Notes		
Fixture dimensions are nominal and conform to tolerances in ANSI Standard A112.19.1.		
No change in measurements if connected with drain illustrated.		
Cut-out for drop-in	1486 x 1029mm	
Cut-out for undermount	K-583 template required	
Minimum access panel:		
Pump/control	1016mm W x 381mm H panel	required



1.25>132