

Ordering Information

Accessories/hardware:		
Jet trim kit	K-9696	required
Drain	K-7161-AF	recommended
Vinyl tiling-in bead*	K-1179	optional

* Use K-1179 vinyl bead when wall material contacts any top surface of bath.

Required Electrical Service

Dedicated circuit required, protected with Class A Ground-Fault Circuit-Interrupter (GFCI):	
Pump/control	120 V., 20 A, 60 Hz

Product Information

Fixture*:	basin area	top area	weight
Bathing well	1143 x 838mm	1549 x 1067mm	61 Kg.
	water depth	capacity	
To overflow	432mm	492 litres	

* Approximate measurements for comparison only.

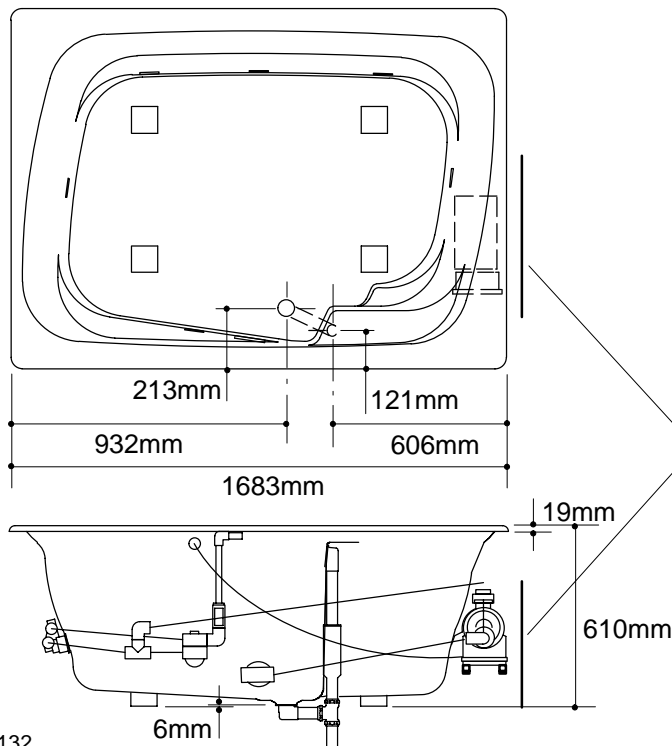
Pump:	high HP	low HP	V	Hz	A
2-speed	1	1/8	120	60	16.5

Installation Notes

Refer to installation instructions included with fixture before beginning installation.

If installing a rim-mount faucet, make sure there is no interference with drain overflow and circulating system before drilling any holes. Consult local and national codes for minimum air gap requirements if installing a spout on the faucet deck.

Pump is supplied with a grounding type plug-in cord. Locate the outlet behind the whirlpool, and within 610mm of the pump.



1.25>132

Roughing-In Notes		
Fixture conforms to ANSI Standard Z124.1. All dimensions are nominal.		
No change in measurements if connected with drain illustrated.		
Cut-out	1641 x 1194mm	
Minimum access panel:		
Pump/control	508mm W x 381mm H panel	required

PUMP/CONTROL ACCESS

