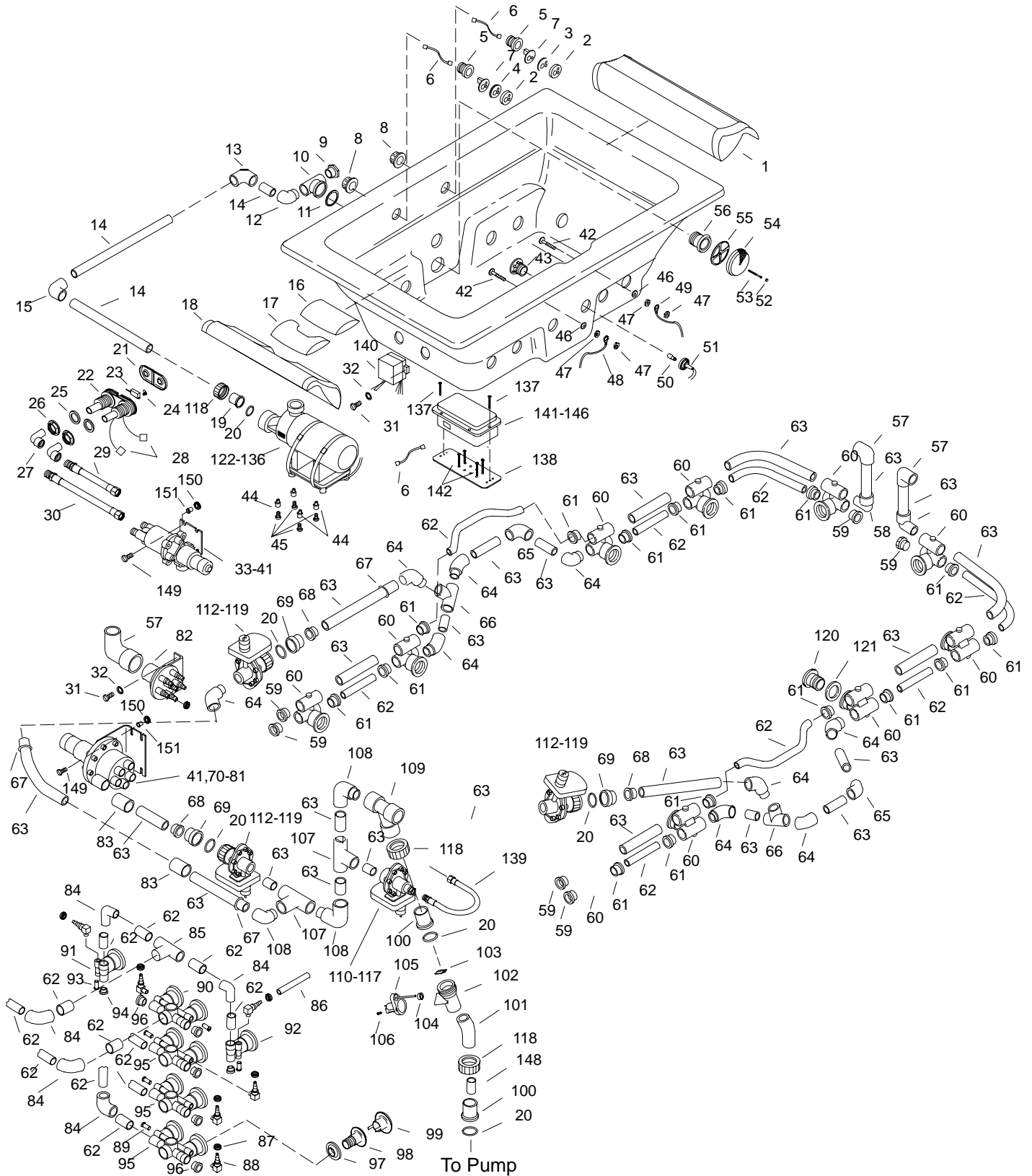


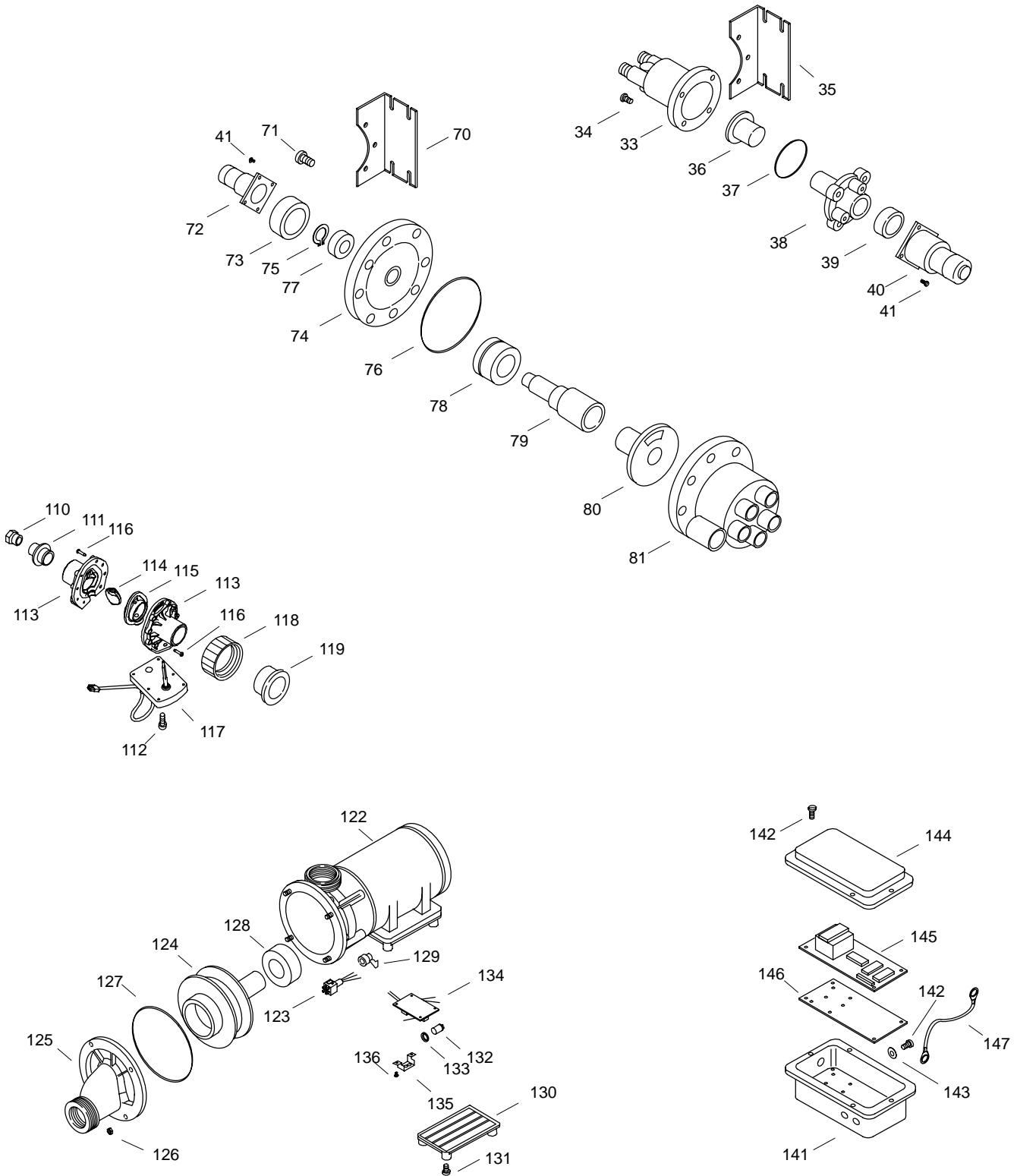
KOHLER[®] SERVICE PARTS

PILLOW TALK™ II
WHIRLPOOL

K-1388-**-AA



****Finish/color code must be specified when ordering.**



****Finish/color code must be specified when ordering.**

SERVICE PARTS

ITEM	PART NO.	DESCRIPTION
1	94535-A**	Pillow (Black or White)
2	93765**	Cover
3	73591	Keypad
4	93544	Keypad
5	73513	Housing, Switch
6	73521	Wire, Switch
7	73590	Switch, 3 Button
8	65157	Nut
9	73518	Slip Plug
10	93685	Suction
11	65886	Gasket
12	94255	Elbow
13	94132	Elbow
14		Available in Service Kit Only
15	61213	Elbow
16	94526-A	Pillow Cover-White
	94526-B	Pillow Cover-Black
17	93541	Pillow
18	94535-B**	Pillow (Black or White)
19	93709	Connector
20	94821	O-Ring
21	93511**	Neck Jet Cover
22	93509	Neck Jet Body
23	93493	Sensor
24	93931	Screw
25	93542	Gasket
26	93823	Nut
27	93848	Elbow
28	94307	Connectors
29	93948-A	Hose
30	93948-B	Hose
31	93841	Screw
32	63270	Washer
33	93325	Can
34	97146	Screw
35	93411	Bracket
36	93326	Rotor
37	97143	O-Ring
38	91930	Shaft Assy
39	92024	Spacer
40	94403	Motor
41	97145	Screw
42	73519	Probe
43	66403	Housing, Light
44	73504	Adapter
45	73515-B	Mount
46	63270	Washer
47	60129	Nut
48	73520	Wire Assembly
49	93825	Wire Assembly
50	66402	Bulb
51	68628	Light Socket
52	65226**	Plug
53	65054	Screw
54	67999**	Cover
55	65355	Spacer
56	65036	Flange
57	91967	Check Valve
58	61536	Elbow
59	67665	Plug
60	67889	Housing
61	60561	Reducer
62		Available in Service Kit Only
63		Available in Service Kit Only
64	94256	Elbow
65	60557	Elbow
66	61563	Tee
67	91431	Clamp
68	94409	Reducer

SERVICE PARTS

ITEM	PART NO.	DESCRIPTION
69	92076	Adapter
70	93412	Bracket
71	93855	Screw
72	93543	Motor
73	92024	Spacer
74	93365	End Cap
75	97144	Snap Ring
76	93842	O-Ring
77	97148	Bearing
78	60985	Seal
79	97124	Shaft
80	93323	Rotor
81	93887	Housing
82	93422	Air Manifold
83	61937	Coupling
84	61359	Elbow
85	60565	Tee
86	94854	Hose
87	94686-B	Clamp
88	93368	Check Valve
89	93373	Plug
90	93369-C	Manifold
91	93484-A	Manifold
92	93484-B	Manifold
93	93374	Plug
94	93372	Plug
95	93369-A	Manifold
96	93371	Plug
97	93315	Seal
98	93370	Flange
99	93552**	Cap
100	60848	Connector
101	61814	Elbow
102	73593	Body
103	73597	Plate
104	73596	Seal
105	73594	Motor Assy
106	73598	Screw
107	61563	Tee
108	61536	Elbow
109	60797	Tee
110	94268	Bushing
111	94274	Adapter
112	63149	Screw
113	94095	Body
114	94093	Butterfly
115	94094	Seal
116	50506	Screw
117	94273	Motor, Assy
118	60979	Slip Nut
119	60848	Connector
120	67429	Flange
121	65885	Gasket
122	73573	Motor
123	94285	Interconnect Cord
124	73577	Impeller
125	73575	Cover
126	73559	Nut
127	73558	O-Ring
128	60985	Shaft Seal
129	94287	Bushing
130	73569	Base
131	94812	Screw
132	93820	Capacitor
133	94062	Spacer
134	73580	Circuit Board Assy
135	21998	Screw
136	74705	Barrier
137	94405	Screw
138	94269	Mounting Plate
139	94318-G	Hose
140	94289	Transformer

**Finish/color code must be specified when ordering.

SERVICE PARTS

ITEM	PART NO.	DESCRIPTION
141	94407	Box
142	60320	Screw
143	61776	Washer
144	94408	Cover
145	94414	Circuit Board
146	94416	Insulation
147	94450	Wire
148		Available in Service Kit Only
149	95045	Screw
150	91819	Grommet
151	91820	Sleeve

SERVICE KITS

PART NO.	ITEM	QTY.	DESCRIPTION
94853			1 1/2" Tube Kit
	14	1 ea.	Tube
		2 ea.	Coupling
93590			Neck Jet Manifold
	22	1 ea.	Neck Jet Body
	23	1 ea.	Sensor
	24	1 ea.	Screw
94270			Pulse Generator
	33	1 ea.	Can
	34	4 ea.	Screw
	35	1 ea.	Bracket
	36	1 ea.	Rotor
	37	1 ea.	O-Ring
	38	1 ea.	Shaft Assy
	39	1 ea.	Spacer
	40	1 ea.	Motor
	41	4 ea.	Screw
93367			Pulse Generator
	41	4 ea.	Screw
	70	1 ea.	Bracket
	71	8 ea.	Screw
	72	1 ea.	Motor
	73	1 ea.	Spacer
	74	1 ea.	End Cap
	75	1 ea.	Snap Ring
	76	1 ea.	O-Ring
	77	1 ea.	Bearing
	78	1 ea.	Seal
	79	1 ea.	Shaft
	80	1 ea.	Rotor
	81	1 ea.	Housing
93836			1/2" Tube Kit
	62	1 ea.	Tube
		2 ea.	Coupling
93838			1" Tube Kit
	63	1 ea.	Tube
		2 ea.	Coupling
94637			V-Flow Valve Assy
	100	1 ea.	Connector
	101	1 ea.	Elbow
	102	1 ea.	Body
	103	1 ea.	Plate
	104	1 ea.	Seal
	105	1 ea.	Motor Assy
	106	2 ea.	Screw
	118	1 ea.	Slip Nut
	148	1 ea.	Tube
94491			Valve Assy
	102	1 ea.	Body
	103	1 ea.	Plate
	104	1 ea.	Seal
	105	1 ea.	Motor Assy
	106	2 ea.	Screw

SERVICE KITS

PART NO.	ITEM	QTY.	DESCRIPTION
94421			B-Fly Assy
	110	1 ea.	Adapter
	111	1 ea.	Bushing
	112	8 ea.	Screw
	113	2 ea.	Body
	114	1 ea.	Butterfly
	115	1 ea.	Seal
	116	2 ea.	Screw
	117	1 ea.	Motor, Assy
94420			B-Fly Assy w/Nut
	112	1 ea.	Motor
	113	1 ea.	Body
	114	1 ea.	Butterfly
	115	1 ea.	Seal
	116	1 ea.	Screw
	117	1 ea.	Motor, Assy
	118	1 ea.	Slip Nut
	119	1 ea.	Connector
73572			Pump
	122	1 ea.	Motor
	123	1 ea.	Interconnect Cord
	124	1 ea.	Impeller
	125	1 ea.	Cover
	126	4 ea.	Nut
	127	1 ea.	O-Ring
	128	1 ea.	Seal
	129	1 ea.	Bushing
	130	1 ea.	Base
	131	4 ea.	Screw
	132	1 ea.	Capacitor
	133	1 ea.	Spacer
	134	1 ea.	Circuit Board Assy
	135	4 ea.	Screw
	136	1 ea.	Barrier
94262			Auxiliary Control
	141	1 ea.	Box
	142	2 ea.	Screw
	143	1 ea.	Washer
	144	1 ea.	Cover
	145	1 ea.	Circuit Board
	146	1 ea.	Insulation
	147	1 ea.	Wire
93839			1 1/4" Tube Kit
	148	1 ea.	Tube
		2 ea.	Coupling

**Finish/color code must be specified when ordering.