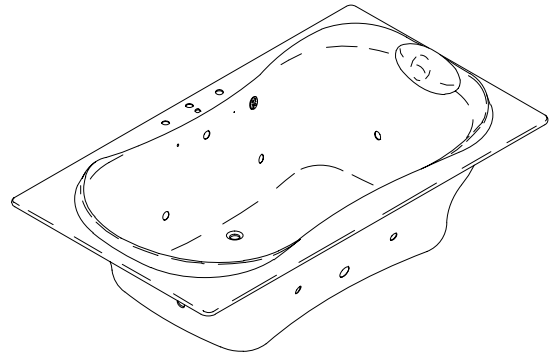


FEATURES

- 72" x 41-5/8" x 21"
- Acrylic
- Integral fill
- System III - 2 hp variable flow pump with integral heater, electronic switch, and pulsating neckjets with pillow
- 6 Flexjets
- UL Listed
- Left or right-hand pump
- LESS ALL TRIM
- Drilled for K-9596 grip rails (required)
- Pump is supplied with a grounding-type plug in cord

K-1472-H1, K-1472-N K-1474-H1, K-1474-N



CODES/STANDARDS APPLICABLE

Specified model meets or exceeds the following:

- ANSI Z124.1
- ASME/ANSI A112.19.7M
- IAPMO/UPC
- Underwriters Laboratories (UL)
- State of Massachusetts
- Dade County, Florida
- City of Los Angeles, CA

COLORS/FINISHES

- 0 White
- Other Refer to Fixtures Price Book for additional colors

Accessories:

- CP Polished Chrome
- PB Polished Brass
- Other Refer to Faucets Price Book for additional finishes
- NA None Applicable

SPECIFIED MODEL:

Model	Description	Colors/Finishes	
K-1472-H1	Bath whirlpool with left-hand pump less neckjets and pillow	<input type="checkbox"/> 0 White	<input type="checkbox"/> Other_____
K-1472-N	Bath whirlpool with right-hand pump and neckjets and pillow	<input type="checkbox"/> 0 White	<input type="checkbox"/> Other_____
K-1474-H1	Bath whirlpool with left-hand pump less neckjets and pillow	<input type="checkbox"/> 0 White	<input type="checkbox"/> Other_____
K-1474-N	Bath whirlpool with right-hand pump and neckjets and pillow	<input type="checkbox"/> 0 White	<input type="checkbox"/> Other_____

Required Accessories				
K-9696	Jet trim kit	<input type="checkbox"/> CP	<input type="checkbox"/> PB	<input type="checkbox"/> Other_____
K-9589	Flair™ faucet trim kit OR	<input type="checkbox"/> CP	<input type="checkbox"/> PB	
K-9599	Alterna™ faucet trim kit	<input type="checkbox"/> CP	<input type="checkbox"/> PB	<input type="checkbox"/> Other_____
K-9596	Grip rails (pair)	<input type="checkbox"/> CP	<input type="checkbox"/> PB	<input type="checkbox"/> Other_____
Optional Accessories				
K-1179	Vinyl tiling-in bead (use when wall material contacts any top surface of bath)			<input type="checkbox"/> NA

PRODUCT SPECIFICATION:

The bath whirlpool shall be 72" in length, 41-5/8" in width, and 24" in height. Bath whirlpool shall be made of acrylic. Bath whirlpool shall have an integral fill. Bath whirlpool shall have System III, with 6 Flexjets, 2 hp variable flow pump with integral heater, electronic switch, and pulsating neckjets with pillow. Bath whirlpool shall be UL listed. Bath whirlpool shall have left or right-hand pump. Bath whirlpool shall be less all trim. Bath whirlpool shall be drilled for K-9596 grip rails (required). Bath whirlpool pump shall be supplied with a grounding-type plug-in cord. Bath whirlpool shall be Kohler Model K-_____ - _____ - _____.

INFINITY[∞] BATH™

REQUIRED ELECTRICAL SERVICE

Dedicated circuit required, protected with Class A Ground-Fault Circuit-Interrupter (GFCI):	
Pump/control	120 V., 20 A, 60 Hz

PRODUCT INFORMATION

Fixture*:	basin area	top area	weight
Bathing well	48" x 30"	62" x 36"	160 lbs.
	water depth	capacity	
To overflow	15"	96 gals.	

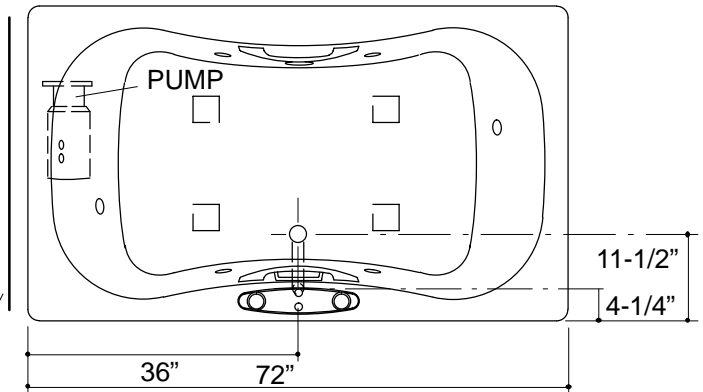
* Approximate measurements for comparison only.

Pump:	HP	V	Hz	A
1-speed	2	120	60	18.5

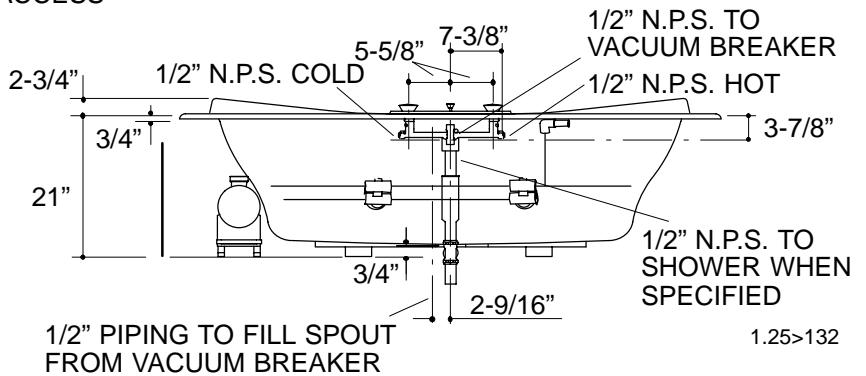
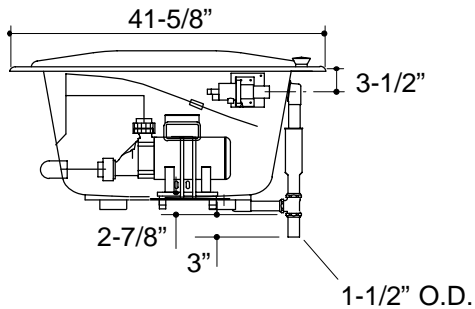
INSTALLATION NOTES

Each pump is supplied with a grounding type plug-in cord. Locate the outlet behind the whirlpool, and within 24" of the pump.

Roughing-In Notes		
Cut-out	70-1/2" x 40"	
No change in measurements if connected with drain illustrated.		
Minimum access:		
Pump/control	40" W x 15" H panel	required



PUMP/CONTROL ACCESS



PRODUCT DIAGRAM