

Ordering Information

Accessories/hardware:		
Jet trim kit	K-9392	required
Drain	K-7167	recommended

Required Electrical Service

Dedicated circuit required, protected with Class A Ground-Fault Circuit-Interrupter (GFCI):	
Pump/control	120 V., 20 A, 60 Hz

Product Information

Fixture*:	basin area	top area	weight
Bathing well	1194 x 686mm	1626 x 737mm	59 Kg.
	water depth	capacity	
To overflow	495mm	473 litres	

* Approximate measurements for comparison only.

Pump:	HP	V	Hz	A
60 Hz	2	120	60	18.5

Included Components:

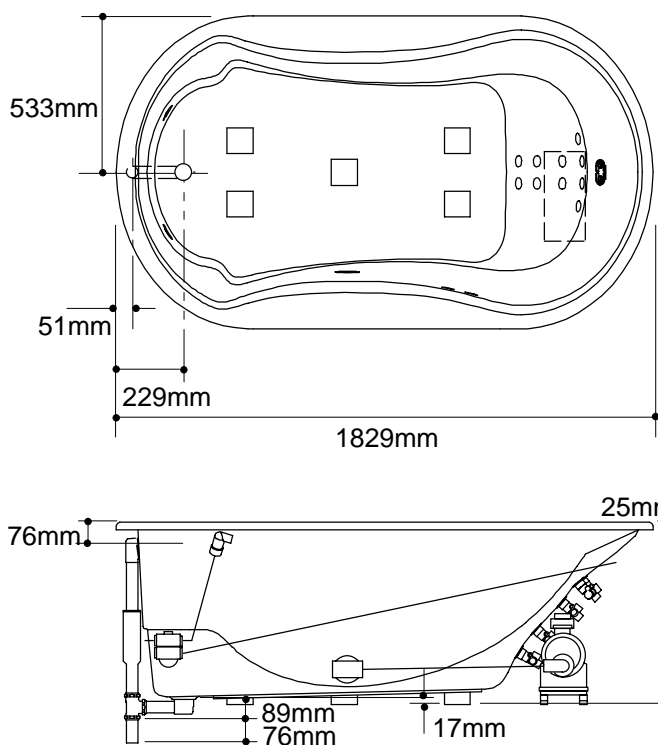
Cutout template	114323-7
-----------------	----------

Installation Notes

Refer to installation instructions included with fixture before beginning installation.

If installing a rim-mount faucet, make sure there is no interference with drain overflow and circulating system before drilling any holes. Consult local and national codes for minimum air gap requirements if installing a spout on the faucet deck.

Pump is supplied with a grounding type plug-in cord. Locate the outlet behind the whirlpool, and within 610mm of the pump.



Roughing-In Notes

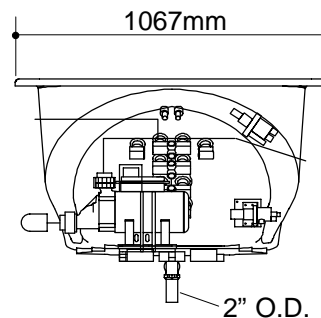
Fixture dimensions are nominal and conform to tolerances in ANSI Standard Z124.1.

No change in measurements if connected with drain illustrated.

Minimum access panel:

Pump/control	965mm W x 457mm H panel	required
--------------	-------------------------	----------

PUMP/CONTROL ACCESS



1.25>132