

Ordering Information

Applicable product:		
Drop-in rim style	K-1266	shown
Left outlet, integral flange	K-1266-L	not shown
Right outlet, integral flange	K-1266-R	not shown
Accessories/hardware:		
Drain	K-7161-AF	recommended
Apron	K-1279	optional
Vinyl tiling-in bead*	K-1181	optional
*Use K-1181 vinyl bead when wall material contacts any top surface of the drop-in rim style bath.		

Required Electrical Service

Dedicated circuit required, protected with Class A Ground-Fault Circuit-Interrupter (GFCI):	
Pump/control	120V., 15A., 60 Hz

Product Information

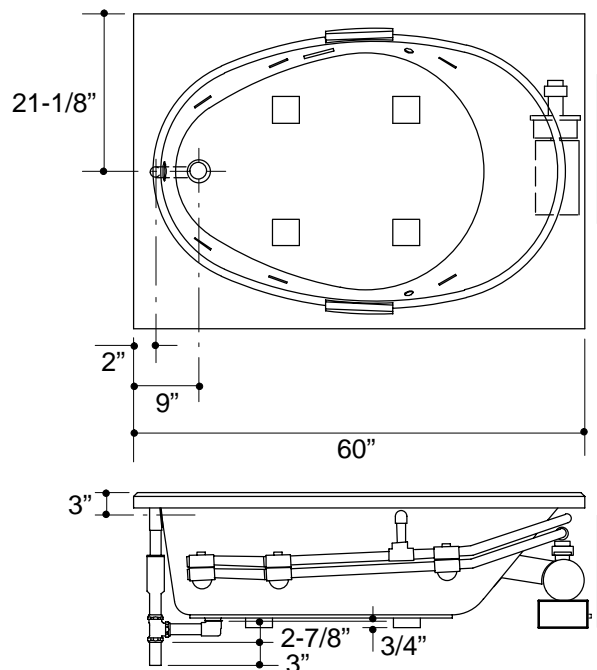
Fixture*:	basin area	top area	weight	
Bathing well	42" x 28"	52" x 30"	120 lbs.	
	water depth	capacity		
To overflow	12-1/2"	55 gal.		
* Approximate measurements for comparison only.				
Pump:	HP	V	Hz	A
1-speed	3/4	120	60	10.5

Installation Notes

Refer to installation instructions included with fixture before beginning installation.

If installing a rim-mount faucet, make sure there is no interference with drain overflow and circulating system before drilling any holes. Consult local and national codes for minimum air gap requirements if installing a spout on the faucet deck.

Pump is supplied with a grounding-type plug-in cord. Locate the outlet behind the whirlpool, and within 24" of the pump. The apron must be installed before the finish floor and wall materials are installed.



1.25>132

Roughing-In Notes

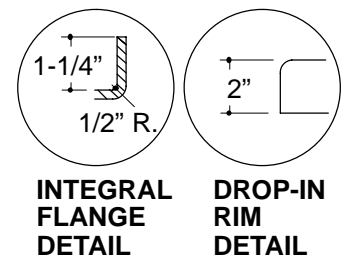
Fixture conforms to ANSI Standard Z124.1. All dimensions are nominal.

No change in measurements if connected with drain illustrated.

Cut-out Drop-in rim style 58" x 40"

Minimum access panel:

Pump/control 20" W x 15" H required



**INTEGRAL
FLANGE
DETAIL**

**DROP-IN
RIM
DETAIL**